

# GST SERIES

# GST-12500 v3

Ferrite Magnet Die-cast Chassis Driver

## Features

- 3" Medium Format Voice Coil
- 1000 Watts Continuous program power capacity
- Active Balanced Cooling
- Ferrite Magnetics
- Aluminum wire Inside/Outside Coil Design
- Single Spider Suspension



The P Audio GST-12500 V3 is a 12 inch (305mm) diameter high performance woofer. The design utilizes a medium format 3 inch (76mm) nominal voice coil diameter with a very light weight aluminum coil configured in an inside/outside wind geometry. This light weight design, coupled with a low moving mass cone offers excellent transient response. The large format ferrite based magnet structure produces very high conversion efficiency. Inside/outside winding geometry assists in coil cooling and improves both transducer power handling and system reliability. The GST-12500 V3 also features a very long air gap height that improves transducer linearity

The GST-12500 V3 offers very smooth and controlled amplitude response to 2000Hz and has a useable high frequency limit of 3000Hz. The GST-12500 V3 is an excellent choice for high output two way system designs and is ideally coupled with P Audio BM-D series and SD series compression drivers. P Audio offers a wide range of high frequency horns that can provide short throw or medium throw designs when coupled with the GST-12500 V3.

The design features very large diameter impregnated spiders to insure long term linearity. The impregnated spiders and very high system power handling will insure excellent long term performance. The cone is waterproof to improve reliability in high humidity environments. The GST-12500 V3 features an aluminum die cast chassis that includes P Audio's "Auto Balanced Cooling" design that minimizes coil and magnet structure heating, and further improves system performance.

## General Specifications

Nominal Diameter	305 mm (12 in)
Nominal Impedance	8 Ω
Nominal Power Handling	500 W(AES)
Continuous Program Power Capacity	1000 W
Sensitivity	96 dB
Frequency Range	50-3000 Hz
Voice Coil Diameter	76.2 mm (3 in)
Voice Coil Material	Aluminum wire (inside/outside)
Former Material	Glass fiber
Effective Piston Diameter	266.0 mm (10.5 in)
Flux Density	1.1T

## Physical Information

Magnet Material	Ferrite
Basket Material	Aluminium
Surround Material	Cloth
Cone Material	Paper
Dust Cap Material	Paper
Spider Material	Cotton
Gasket	EVA
Pole Design	T-Pole
Woofer Cone Treatment	Waterproof Front Side

## Parameters

Fs	56 Hz	Vas	52.86 lt
Re	5.5 Ω	Sd	551.5 cm <sup>2</sup>
Qms	8.34	Le	0.52 mH
Qes	0.51	Eff (η <sub>0</sub> )	1.74%
Qts	0.48	Cms	1.2 e-04 m/N
BL	15.70Tm	Xmax	3.25 mm
Mms	65.85 g	Hag	12.0 mm
Mmd	58.40 g	Hvc	18.5 mm

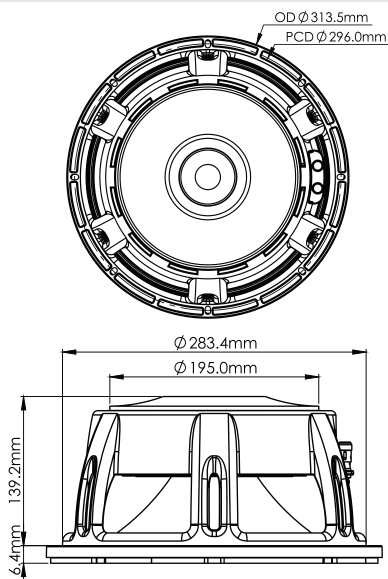
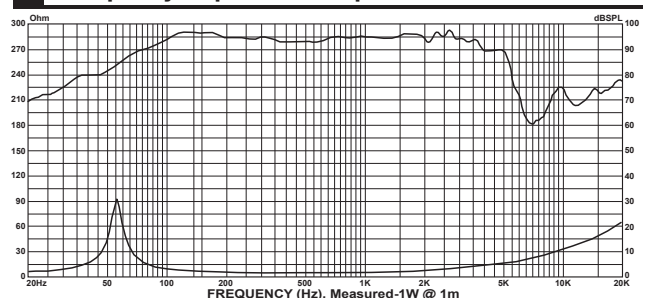
## Mounting and Shipping Info

Diameter	313.5 mm (12.3 in)
Baffle Cutout Diameter	283.0 mm (11.1 in)
Mounting Hole Diameter	299.5mm (11.8 in)
Bolt Circle Diameter	8 x Ø 6.5 mm
Depth	142.0 mm (5.6 in)
Flange and Gasket Thickness	16.5 mm (0.64 in)
Net Weight	15.2 kg
Shipping Units	1
Shipping Weight	16.8 kg
Shipping Box	415x 415 x 242 mm

## Recone Kit

Model No

## Frequency response and Impedance curve



STH PROFESSIONAL AUDIO CO.,LTD.

AIA Sathorn Tower, unit 1607-1608, 16th floor, No.11/1, South Sathorn Road, Yannawa, Sathorn, Bangkok 10120