

**NX  
SERIES**

# 15NX-76MB

Neodymium Magnet Die-cast Chassis Driver

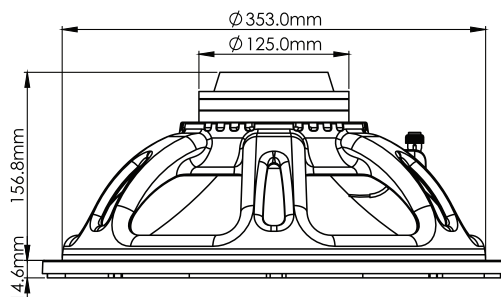
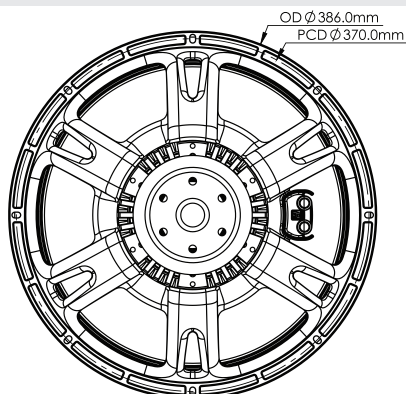
## Features

- 3" Voice coil high temperature
- 1100 Watts continuous program power capacity
- Neodymium magnetics
- Precision rectangular wire geometry
- Die cast aluminum chassis
- Integrated double demodulation ring
- Weather protected cone

## Applications

- 15" Neodymium ultra low distortion midrang driver for use in high power lineary and fixed installation professional loudspeaker enclosures

The P Audio 15NX-76MB is a high performance wide bandwidth transducer optimized for use in mid bass frequencies. The 15NX-76MB is an upgraded design that features many of P Audios new technologies and performance upgrades. The 15 inch (381mm) diameter piston will produce extremely high sound pressure levels at both low and mid band frequencies and is ideal for high level response in both live sound and recorded music venues. The transducer uses very high energy neodymium magnetics to achieve a very high acoustic output to weight ratio. The 15NX-76MB has been optimized for use in two way or three way sound reinforcement systems and has an operating range of 40Hz to 4000Hz. The 15NX-76MB features a large 3 inch (76.2mm) diameter voice coil that provides an AES rated 1100W of continuous program power capacity and a full 2200W of peak rated power handling when sufficient amplifier headroom is available. The perfect match of material and geometry mean ultra-low distortion of cone movement and ultra-low distortion of sound. Coating keeps the cone rigid and waterproof during operation. The voice coil design is a bobbin wound geometry with P Audio's edge wound rectangular wire technology to improve conversion efficiency and provide a large cross-sectional area for superior cooling. The transducer chassis is a die cast aluminum design that insures a very high degree of structural integrity.



## General Specifications

Nominal Diameter	381 mm (15 in)
Nominal Impedance	8 Ω
Nominal Power Handling	550 W(AES)
Continuous Program Power Capacity	1100 W
Sensitivity	98 dB
Frequency Range	40-4000 Hz
Voice Coil Diameter	76.2 mm (3.0 in)
Voice Coil Material	Flat aluminium wire
Former Material	Kapton
Effective Piston Diameter	331.0 mm (13.0 inch)
Flux Density	1.25 T

## Physical Information

Magnet Material	Neodymium
Basket Material	Aluminium
Surround Material	Cloth
Cone Material	Paper
Dust Cap Material	Paper
Spider Material	Cotton
Gasket	EVA
Pole Design	T-Pole
Woofers Cone Treatment	Waterproof Front Side

## Parameters

Fs	47 Hz	Vas	137.04 lt
Re	6.2 Ω	Sd	855.3 cm <sup>2</sup>
Qms	8.58	Le	0.51 mH
Qes	0.43	Eff (η <sub>o</sub> )	3.18%
Qts	0.41	Cms	1.2 e-04 m/N
BL	19.77 Tm	Xmax	4.75 mm
Mms	92.23 g	Hag	9.5 mm
Mmd	77.18 g	Hvc	19.0 mm

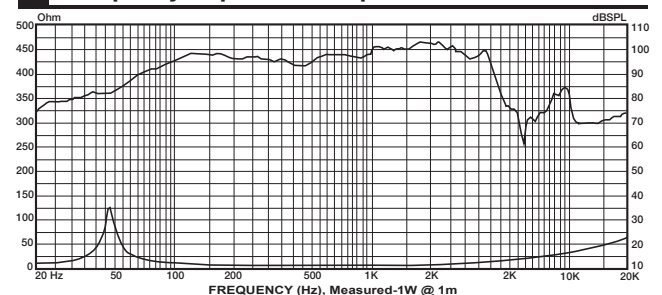
## Mounting and Shipping Info

Diameter	386.0 mm (15.1 in)
Baffle Cutout Diameter	353.0 mm (13.8 in)
Mounting Hole Diameter	370.0 mm (14.5 in)
Bolt Circle Diameter	8 x Ø (9.0x6.0) mm
Depth	156.8 mm (6.1 in)
Flange and Gasket Thickness	14.6 mm
Net Weight	4.7 kg
Shipping Units	1
Shipping Weight	N/A
Shipping Box	415 x 415 x 212 mm

## Recone Kit

Model no.

## Frequency response and Impedance curve



STH PROFESSIONAL AUDIO CO.,LTD.

AIA Sathorn Tower, unit 1607-1608, 16th floor, No.11/1, South Sathorn Road, Yannawa, Sathorn, Bangkok 10120

REV 1