

**FT
SERIES**

15FT-100MB

Ferrite Magnet Die-cast Chassis Driver

Features

- 4" Voice coil high temperature
- 2000 Watts continuous program power capacity
- Ferrite magnetics
- Precision rectangular wire geometry
- Double spiders silicon suspension
- Die cast aluminum chassis

Applications

15" Ferrite ultra low distortion midrange driver for use in high power line array and fixed installation professional loudspeaker enclosures

The P Audio 15FT-100MB is a high output wide bandwidth transducer. The 15FT-100MB is an upgraded design that features many of P Audio's new technologies and performance upgrades. The 15 inch (381mm) diameter piston will produce extremely high sound pressure levels at both low and mid band frequencies and is ideal for high level response in both live sound and recorded music venues. The transducer has a rated bandwidth of 60Hz to 4000Hz. The transducer uses high energy ferrite magnetics to achieve a very high acoustic output to weight ratio. The 15FT-100MB has been optimized for use in two way or three way sound reinforcement systems. The 15FT-100MB employs a medium format 4 inch (99.3mm) diameter voice coil that provides an AES rated 2000 watts of continuous program power capacity and a full 4000 watts of peak rated power handling when sufficient amplifier headroom is available. The voice coil design is a bobbin wound geometry with P Audio's precision rectangular wire technology to insure high conversion efficiency. The system suspension has been designed specifically for high linear displacement and extended low frequency response. The 15FT-100MB also features double spider with silicone configuration that provides system reliability and mechanical control. The transducer chassis is a die cast aluminum design that insures a very high degree of structural integrity.



General Specifications

Nominal Diameter	381 mm (15 in)
Nominal Impedance	8 Ω
Nominal Power Handling	1000 W(AES)
Continuous Program Power Capacity	2000 W
Sensitivity	95 dB
Frequency Range	60-4000 Hz
Voice Coil Diameter	99.3 mm (4 in)
Voice Coil Material	Flat aluminium wire
Former Material	Kapton
Effective Piston Diameter	332.0 mm (13.0 inch)
Flux Density	1.2 T

Physical Information

Magnet Material	Ferrite
Basket Material	Aluminium
Surround Material	Cloth
Cone Material	Paper
Dust Cap Material	Paper
Spider Material	Cotton (Double Silicone)
Gasket	EVA
Pole Design	T-Pole
Woofer Cone Treatment	No Treatment

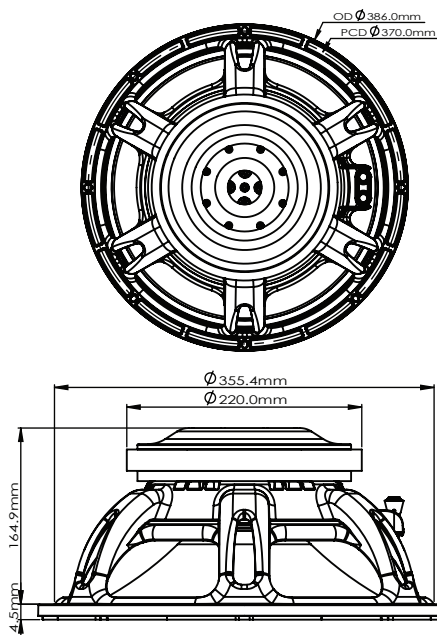
Parameters

Fs	63 Hz	Vas	76.7 lt
Re	6.2 Ω	Sd	934.8 cm ²
Qms	8.715	Le	0.814 mH
Qes	0.816	Eff (η _o)	2.32%
Qts	0.746	Cms	61.8uM/N
BL	17.548 Tm	Xmax	5.75 mm
Mms	101.58 g	Hag	9.5 mm
Mmd	85.154 g	Hvc	21.0 mm

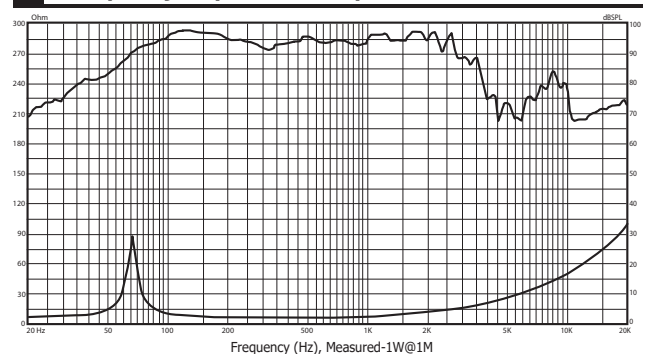
Mounting and Shipping Info

Diameter	386.0 mm (15.2 in)
Baffle Cutout Diameter	355.0 mm (14 in)
Mounting Hole Diameter	370.0 mm (14.6 in)
Bolt Circle Diameter	8 x Ø (9.0x6.0) mm
Depth	165 mm (6.5 in)
Flange and Gasket Thickness	14.5 mm
Net Weight	10.7 kg
Shipping Units	1
Shipping Weight	N/A
Shipping Box	415 x 415 x 242 mm

Recone Kit	Model Number
------------	--------------



Frequency response and Impedance curve



STH PROFESSIONAL AUDIO CO.,LTD.

AIA Sathorn Tower, unit 1607-1608, 16th floor, No.11/1, South Sathorn Road, Yannawa, Sathorn, Bangkok 10120

REV 8