

**SC
SERIES**

SC-2064

High Frequency Horn



The P Audio SC-2064 is a wide bandwidth constant directivity waveguide designed for use in very high performance sound reinforcement system designs. The SC-2064 is a fully rotatable horn and features a very controlled 60 degree by 40 degree included angle radiation pattern. The design features a flat front geometry with scalloped edges that allow the SC-2064 to fit closely to the associated low frequency transducer. This feature can produce very compact enclosure designs.

The SC-2064 is an industry standard 2.0 inch (50.8mm) throat design and includes a bolt on style mounting flange. This standard throat diameter allows for a wide variety on compression driver to be used with the horn. All P Audio drivers that feature a 2.0 inch exit diameter are excellent companion products for the 2.0 inch SC horn.

The low frequency flare limit of 800Hz allows the SC-2064 to be used with a wide variety of low frequency devices. A minimum crossover frequency of 1200 Hz is recommended for low distortion and high reliability performance in professional applications.

The SC-2064 is an injection molded design featuring thick cross sections of very high strength glass filled ABS. The SC-2064 is an ideal choice for high performance professional sound reinforcement and public address system designs when medium to long throw requirements are specified.

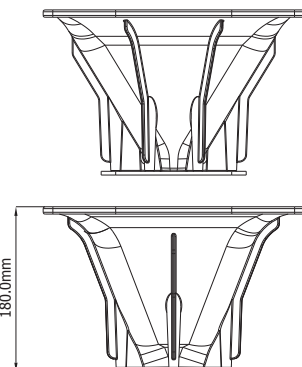
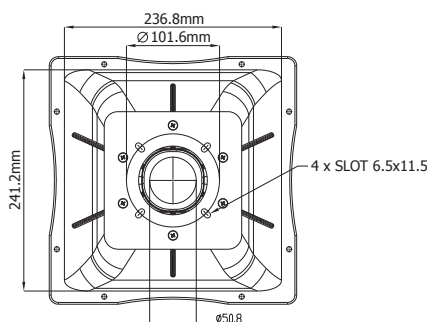
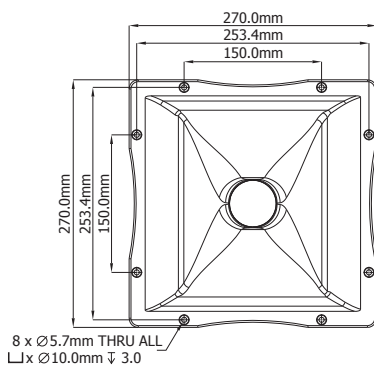
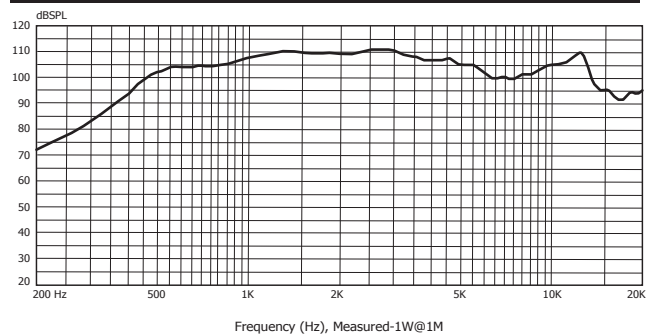
General Specifications

Throat diameter	50.8 mm / 2 in
Nominal coverage angle (HxV)-6dB	60° x 40°
Cut off frequency	800 Hz
Mounting type	Bolt on
Material	Injection polymer A.B.S
Unit weight	1.2 kg / 2.7 lb
Shipping weight	1.8 kg / 4 lb
Packaging dimension	280x280x200 mm
WxDxH	11x11x7.9 in

Mounting Information

Overall dimensions	
Mount height	270 mm / 10.63 in
Mount width	270 mm / 10.63 in
Depth	180 mm / 7.09 in
Mounting dimensions	
Rear height	241 mm / 9.49 in
Rear width	237 mm / 9.33 in
Baffle cutout dimensions	
Height	243 mm / 9.57 in
Width	239 mm / 9.41 in

Frequency response and Impedance curve



STH PROFESSIONAL AUDIO CO.,LTD.

AIA Sathorn Tower, unit 1607, 16th floor, 11/1 South Sathorn Road, Yannawa, Sathorn, Bangkok 10120 (Thailand) | www.paudiothailand.com

REV 1