

PC-50

Horn And Driver Adaptors

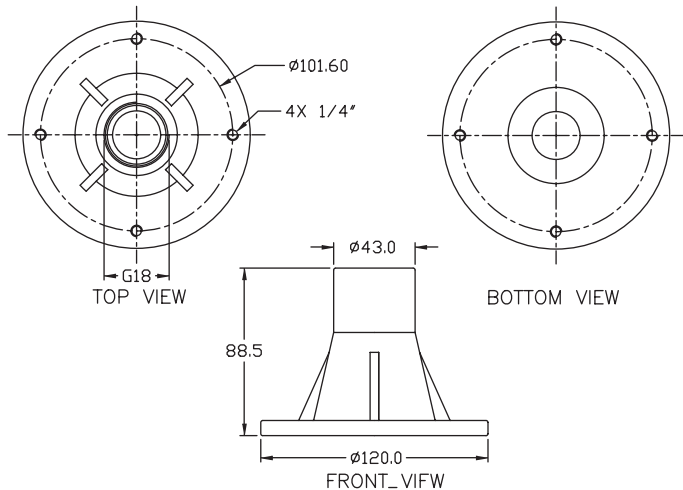


Applications

The PC-50 is designed to allow compression drivers with 1 inch (25.4mm) screw on style exit diameters to be used with horns that feature standard 2 inch (50mm) thread on style throats.

General Specifications

Overall dimension	120x88.5 mm 4.72 x3.48 in
Material	Aluminium
Unit weight	0.40 kg / 0.88 lb
Shipping weight (2 PCS)	0.46 kg / 1.01 lb
Packaging dimension	95x95x94 mm
WxDxH	3.74x3.74x3.70 in



STH PROFESSIONAL AUDIO CO.,LTD.

AIA Sathorn Tower, unit 1607-1608, 16th floor, No.11/1, South Sathorn Road, Yannawa, Sathorn, Bangkok 10120