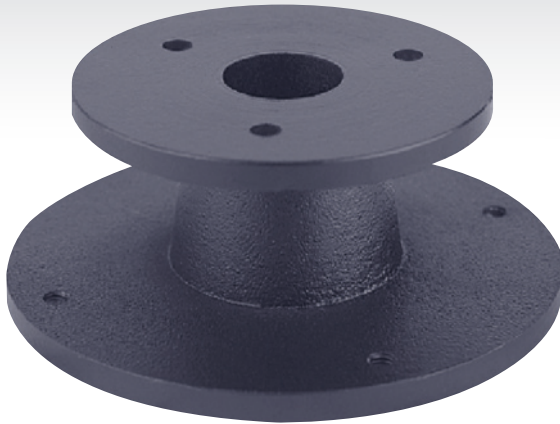


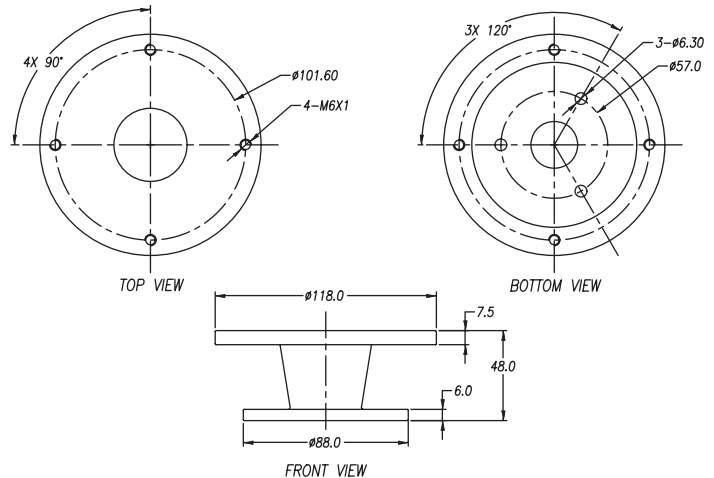
PC-3825

Horn And Driver Adaptors



General Specifications

Overall dimension	118x48 mm 4.65x1.89 in
Material	Aluminium
Unit weight	0.38 kg / 0.84 lb
Shipping weight (2 PCS)	0.42 kg / 0.93 lb
Packaging dimension	120x120x64 mm
WxDxH	4.72x4.72x2.52 in



Applications

The PC-3825 is designed to mate standard bolt on style compression drivers with 1 inch (25.4mm) exit diameters to horns that feature standard 1.5 inch (38.1mm) bolt on throat geometries.



STH PROFESSIONAL AUDIO CO.,LTD.

AIA Sathorn Tower, unit 1607-1608, 16th floor, No.11/1, South Sathorn Road, Yannawa, Sathorn, Bangkok 10120