

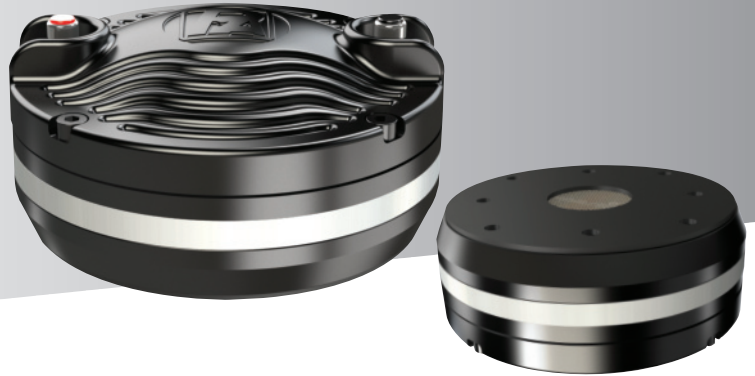
ND SERIES

ND-75/2

Neodymium Magnet Compression Driver

Features

- 3" (76.2mm) Voice coil (Flat aluminium wire)
- Titanium diaphragm (Heat treatment)
- 2" Throat diameter
- 200 watt Continuous program power capacity
- 112 dB sensitivity
- Frequency range 800-18000 Hz
- Neodymium magnetic structure



The P.Audio ND-75/2 is a large format compression driver that utilizes a precision formed diaphragm assembly. The titanium diaphragm is precision formed to insure excellent consistency and performance. The diaphragm assembly is close spaced to a precision phase plug to insure excellent acoustic loading. The ND-75/2 has an operating range of 800Hz to 18kHz and is ideally suited for two way and three way high frequency applications in professional sound reinforcement systems.

The ND-75/2 is a neodymium based magnetic system with an industry standard 2 inch (50.8mm) exit diameter. The mounting configuration is a standard "bolt on" style. P.Audio offers a wide variety high frequency horns that will provide excellent pattern control and acoustic loading for the ND-75/2. The neodymium design allows the driver to be used in modern line array designs where close spacing is required.

The diaphragm assembly is a 3 inch (76.2mm) diameter commercially pure titanium design and utilizes P.Audio's very high temperature adhesive systems and precision manufacturing to insure high power handling and reliability. The construction yields a full 200 watts of continuous program power capacity. The larger diaphragm diameter (3 inch) provides superior mid band response and is an excellent choice for medium power professional sound reinforcement systems.

General Specifications

Throat Diameter	50.8 mm (2 in)
Nominal Impedance	8 Ω
Nominal Power Handling	100 W(AES)
Continuous Program Power Capacity	200 W
Sensitivity	112 dB
Frequency Range	800-18000 Hz
Voice Coil Diameter	76.2 mm (3 in)
Winding Material	AL-R (Flat aluminium wire)
Recommended Crossover	1.2 KHz
Diaphragm Material	Titanium
Flux Density	2.1 T
Magnet Material	Neodymium
Mounting Type	Bolt on

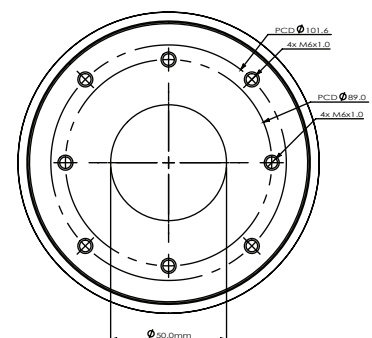
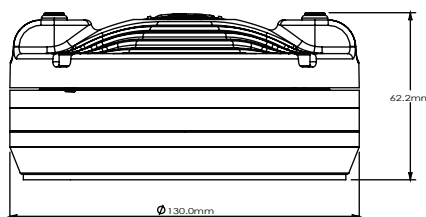
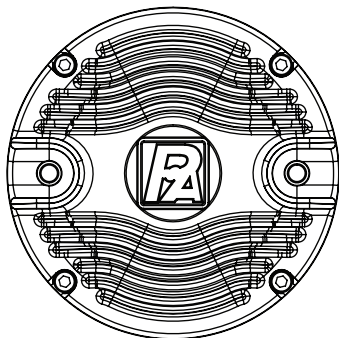
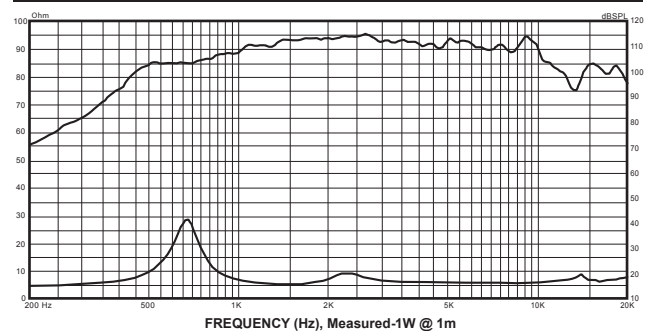
Mounting and Shipping Info

Overall Diameter	130 mm (5.1 in)
Mounting hole diameter	4xM6 PCD 89 mm 4xM6 PCD 101.6 mm
Depth	62.2 mm
Net Weight	3.0 kg / 6.6 lb
Shipping Units	8 pcs
Shipping Weight	27.2 kg / 60.0 lb
Shipping Box	320x320x165 mm

Service Kit

Replacement Coil	Model number
------------------	--------------

Frequency response and Impedance curve



STH PROFESSIONAL AUDIO CO.,LTD.

AIA Sathorn Tower, unit 1607, 16th floor, 11/1 South Sathorn Road, Yannawa, Sathorn, Bangkok 10120 (Thailand) | www.paudiothailand.com

REV 3