

ND SERIES

ND-45/1

Neodymium Magnet Compression Driver

Features

- 1.75" (44.4mm) Voice coil (Flat aluminium wire)
- Mylar diaphragm
- 1" Throat diameter
- 100 watt Continuous program power capacity
- 106 dB sensitivity
- Frequency range 1200-20000 Hz
- Neodymium magnetic structure



The P.Audio ND-45/1 is a medium format compression driver that utilizes a precision formed diaphragm assembly. The P.Audio ND-45/1 features a newly developed pure polyethylene terephthalate (PET) diaphragm assembly. The new diaphragm and suspension produces audibly superior time domain response and cleaner mid band tonal performance. The diaphragm assembly is close spaced to a precision phase plug to insure excellent acoustic loading. The ND-45/1 has an operating range of 1200Hz to 20kHz and is ideally suited for two way and three way high frequency applications in professional sound reinforcement systems.

The ND-45/1 is a neodymium based magnetic system with an industry standard 1 inch (25.4mm) exit diameter. The mounting configuration is a standard "bolt on" style. P.Audio offers a wide variety high frequency horns that will provide excellent pattern control and acoustic loading for the ND-45/1. The uses of neodymium magnetics allows the ND-45/1 to be used in "close spaced" array designs such as modern high output line arrays.

The diaphragm assembly is a 1.75 inch (44.4mm) diameter commercially pure titanium design and utilizes P Audio's very high temperature adhesive systems and precision manufacturing to insure high power handling and reliability. The construction yields a full 50 watts of power handling capacity. The larger diaphragm diameter (1.75 inch) provides superior mid band response and is an excellent choice for medium power professional sound reinforcement systems.

General Specifications

Throat Diameter	25.4 mm (1 in)
Nominal Impedance	8 Ω
Nominal Power Handling	50 W(AES)
Continuous Program Power Capacity	100 W
Sensitivity	106 dB
Frequency Range	1200-20000 Hz
Voice Coil Diameter	44.4 mm (1.75 in)
Winding Material	AL-R (Flat aluminium wire)
Recommended Crossover	1.5KHz
Diaphragm Material	Mylar
Flux Density	1.85 T
Magnet Material	Neodymium
Mounting Type	Bolt on

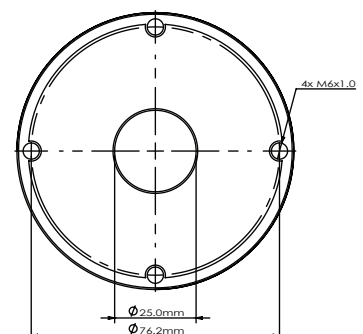
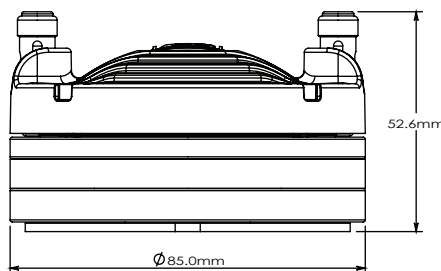
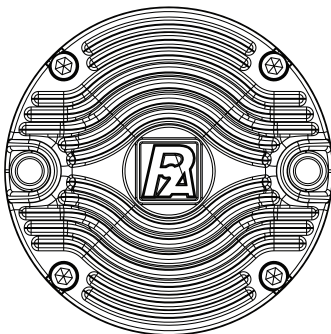
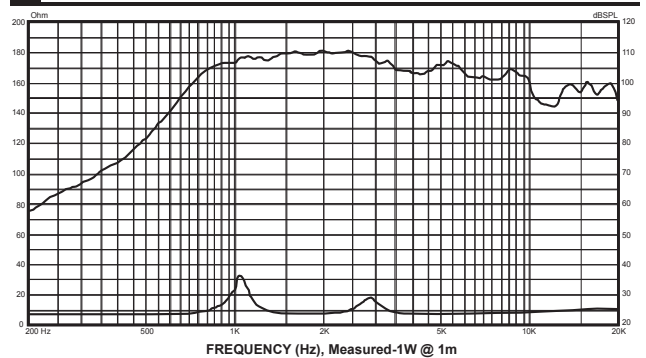
Mounting and Shipping Info

Overall Diameter	85 mm (3.3 in)
Mounting hole diameter	4xM6 PCD 76.2mm
Depth	52.2 mm
Net Weight	0.8 kg / 1.8 lb
Shipping Units	12 pcs
Shipping Weight	14.0 kg / 30.9 lb
Shipping Box	200 x 290 x 150 mm

Service Kit

Replacement Coil	Model number
------------------	--------------

Frequency response and Impedance curve



STH PROFESSIONAL AUDIO CO.,LTD.

AIA Sathorn Tower, unit 1607, 16th floor, 11/1 South Sathorn Road, Yannawa, Sathorn, Bangkok 10120 (Thailand) | www.paudiothailand.com

REV 4