

ND SERIES

ND-100/2

Neodymium Magnet Compression Driver

Features

- 3.9" (99.1mm) Voice coil (Flat aluminium wire)
- Titanium diaphragm (Heat treatment)
- 2" Throat diameter
- 300 watt Continuous program power capacity
- 110 dB sensitivity
- Frequency range 500-18000 Hz
- Neodymium magnetic structure



The P.Audio ND-100/2 is a large format compression driver that utilizes a precision formed diaphragm assembly. The titanium diaphragm is precision formed to insure excellent consistency and performance. The diaphragm assembly is close spaced to a precision phase plug to insure excellent acoustic loading. The ND-100/2 has an operating range of 500Hz to 18kHz and is ideally suited for two way and three way high frequency applications in professional sound reinforcement systems.

The ND-100/2 is a neodymium based magnetic system with an industry standard 2 inch (50.8mm) exit diameter. The mounting configuration is a standard "bolt on" style. P.Audio offers a wide variety high frequency horns that will provide excellent pattern control and acoustic loading for the ND-100/2. The neodymium design allows the driver to be used in modern line array designs where close spacing is required.

The diaphragm assembly is a 4 inch (99.3mm) diameter commercially pure titanium design and utilizes P.Audio's very high temperature adhesive systems and precision manufacturing to insure high power handling and reliability. The construction yields a full 300 watts continuous program power capacity. The larger diaphragm diameter (4 inch) provides superior mid band response and is an excellent choice for medium power professional sound reinforcement systems.

General Specifications

Throat Diameter	50.8 mm (2 in)
Nominal Impedance	8 Ω
Nominal Power Handling	150 W(AES)
Continuous Program Power Capacity	300 W
Sensitivity	110 dB
Frequency Range	500-18000 Hz
Voice Coil Diameter	99.1 mm (3.9 in)
Winding Material	AL-R (Flat aluminium wire)
Recommended Crossover	0.8KHz
Diaphragm Material	Titanium
Flux Density	2.0 T
Magnet Material	Neodymium
Mounting Type	Bolt on

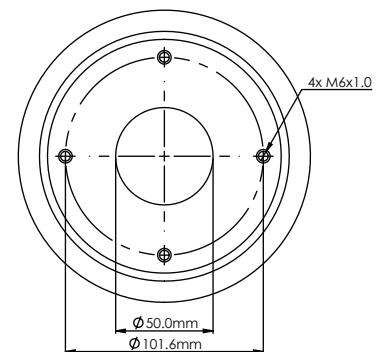
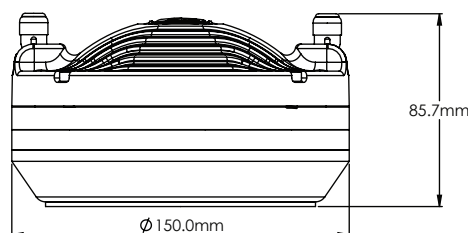
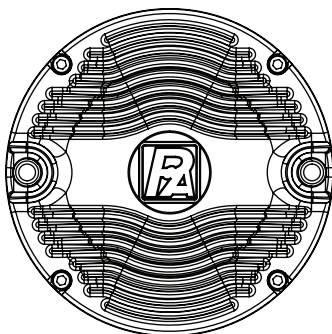
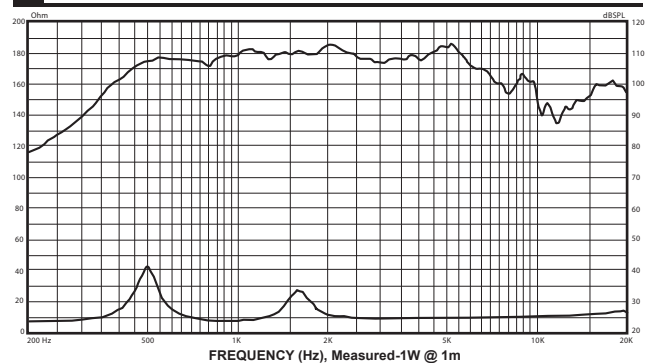
Mounting and Shipping Info

Overall Diameter	150 mm (5.9 in)
Mounting hole diameter	4xM6 PCD 101.6mm
Depth	77.4 mm
Net Weight	N/A
Shipping Units	N/A
Shipping Weight	N/A
Shipping Box	187 x 187 x 90 mm

Service Kit

Replacement Coil	Model number
------------------	--------------

Frequency response and Impedance curve



STH PROFESSIONAL AUDIO CO.,LTD.

AIA Sathorn Tower, unit 1607, 16th floor, 11/1 South Sathorn Road, Yannawa, Sathorn, Bangkok 10120 (Thailand) | www.paudiothailand.com

REV 2