

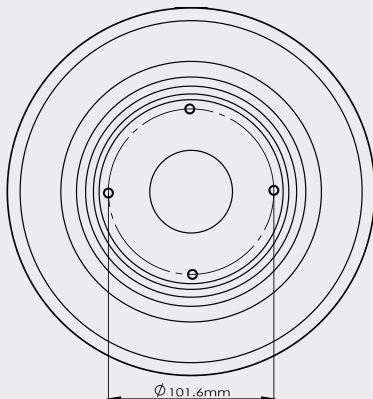
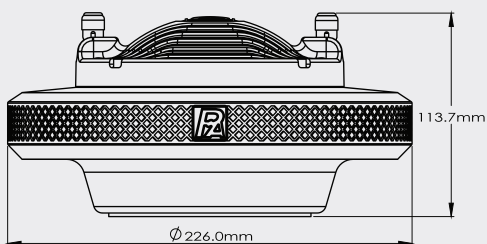
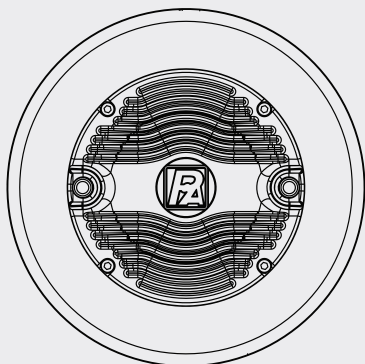
# FD-100/2

High Frequency Ferrite Compression Driver



## Features

- 4" (99.3mm) Voice coil (Flat aluminium wire)
- Titanium diaphragm (Heat treatment)
- 2" Throat diameter
- 250 watt program power capacities
- 110 dB sensitivity
- Frequency range 500-18000 Hz
- Ferrite Magnetic structure



## GENERAL SPECIFICATIONS

Throat Diameter	50.8 mm (2 in)
Nominal Impedance	8 Ω / 16 Ω
Nominal Power Handling	125 W(AES)
Continuous Power Handling	250 W
Sensitivity	110 dB
Frequency Range	500-18000 Hz
Voice Coil Diameter	99.3 mm (4 in)
Winding Material	Flat Aluminium wire
Recommended Crossover	0.8KHz
Diaphragm Material	Titanium
Flux Density	1.9 T
Magnet Material	Ferrite
Mounting Type	Bolt on

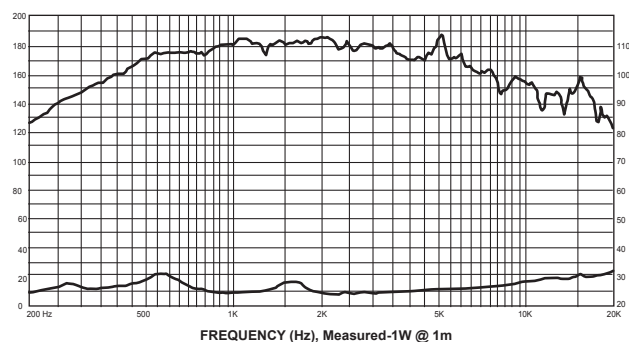
## MOUNTING AND SHIPPING INFO

Overall Diameter	226 mm (8.9 in)
Mounting hole diameter	4xM6 PCD 101.6mm
Depth	113.7 mm
Net Weight	N/A
Shipping Units	N/A
Shipping Weight	N/A
Shipping Box	262 x 262 127 mm

## SERVICE KIT

Replacement Coil	Model number
------------------	--------------

## Frequency response and Impedance curve



STH PROFESSIONAL AUDIO CO.,LTD.

11/1 AIA Sathorn Tower, 16th floor, unit 1607-1608, South Sathorn Road, Yannawa, Sathorn, Bangkok 10120 | www.paudiothailand.com