

**NT
SERIES**

8NT-51MB

Neodymium Magnet Die-cast Chassis Driver

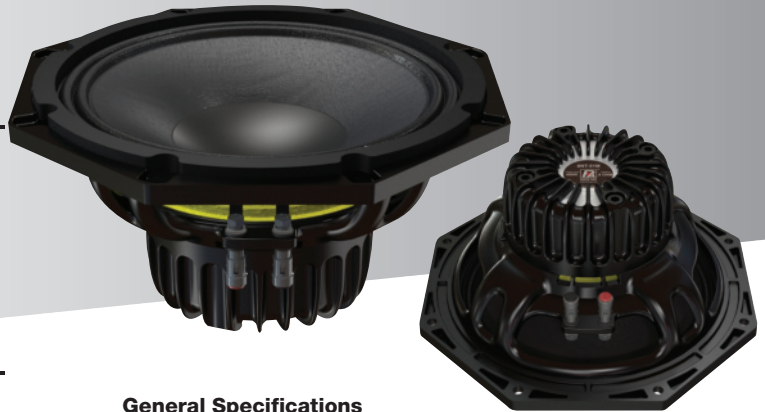
Features

- 2" Voice Coil High temperature
- 400 Watts continuous program power capacity
- Neodymium Magnetics
- Precision Rectangular Wire Geometry
- Die Cast Aluminum Chassis
- Integrated demodulation ring
- Weather protected cone

Applications

- 8" Neodymium ultra low distortion midrange driver for use in high power lineary and fixed installation professional loudspeaker enclosures

When very compact and light weight loudspeaker systems are required the 8NT-51MB is an ideal design. Like all NT Series designs, the 8NT-51MB was designed for a specific application. This 8 inch (203mm) diameter loudspeaker is ideal for applications where a very portable system or small enclosure size is specified. It is ideal for light weight two way compact systems and also ideally suited as a very high output small format mid bass driver in three way systems. Like all loudspeakers in the NT Series family, the 8NT-51MB features a Neodymium based permanent magnetic system mounted to a die cast aluminum chassis. This 8 inch design features a 2 inch diameter (51.3mm) voice coil design. The voice coil diameter is large compared to the cone diameter and this voice coil diameter insures high reliability and high power handling. The perfect match of material and geometry mean ultra-low distortion of cone movement and ultra-low distortion of sound. Coating keeps the cone rigid and waterproof during operation. The operating bandwidth is 90Hz to 7000Hz. This response range is optimized for two way system designs for both small format sound reinforcement and installed public address designs. The 8NT-51MB is also an ideal for high performance direct radiator and horn loaded mid bass designs. When used from 150Hz to 2000Hz, this design can provide superb mid band and vocal band performance levels. The new cone material provides a very high degree of vocal clarity and intelligibility.



General Specifications

Nominal Diameter	203 mm (8 in)
Nominal Impedance	8 Ω
Nominal Power Handling	200 W(AES)
Continuous Program Power Capacity	400 W
Sensitivity	94 dB
Frequency Range	90-7000 Hz
Voice Coil Diameter	51.3 mm (2 in)
Voice Coil Material	Flat aluminium wire
Former Material	Kapton
Effective Piston Diameter	170.0 mm (6.7 inch)
Flux Density	1.25 T

Physical Information

Magnet Material	Neodymium
Basket Material	Aluminium
Surround Material	Cloth
Cone Material	Paper
Dust Cap Material	Paper
Spider Material	Cotton
Gasket	EVA
Pole Design	Straight Pole
Woofer Cone Treatment	Waterproof Front Side

Parameters

Fs	90 Hz	VAS	8.95 lt
Re	6.5 Ω	Sd	213.8 cm ²
Qms	4.67	Le	0.33 mH
Qes	0.66	Eff (η ₀)	0.98%
Qts	0.58	Cms	1.3 e-04 m/N
BL	11.10 Tm	Xmax	1.5 mm
Mms	22.54 g	Hag	8.0 mm
Mmd	20.74 g	Hvc	11 mm

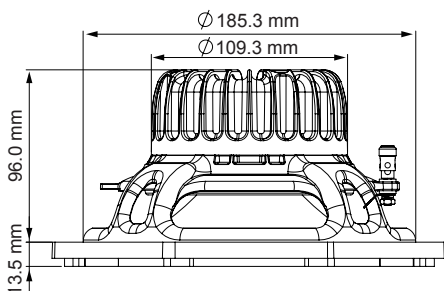
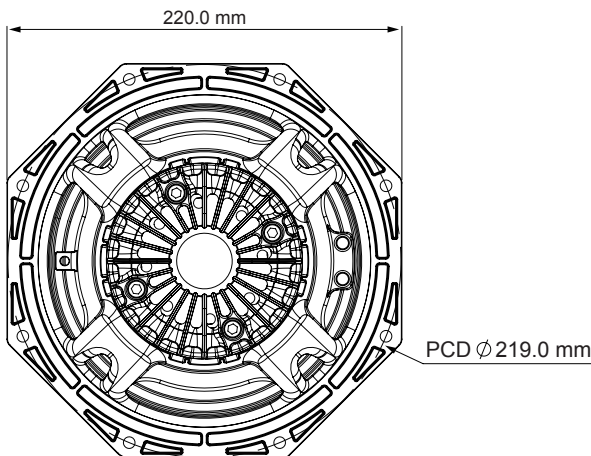
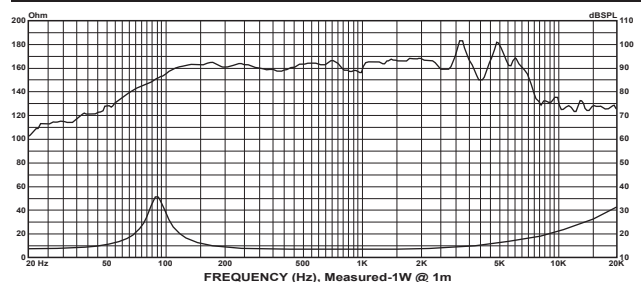
Mounting and Shipping Info

Diameter	220.0 mm (8.7 in)
Baffle Cutout Diameter	185.3 mm (7.3 in)
Mounting Hole Diameter	219.0 mm (8.65 in)
Bolt Circle Diameter	8 x Ø (6.5) mm
Depth	96 mm (3.8 in)
Flange and Gasket Thickness	13.5 mm
Net Weight	N/A
Shipping Units	1
Shipping Weight	N/A
Shipping Box	240 x 240 x 155 mm

Recone Kit

Model no.

Frequency response and Impedance curve

**STH PROFESSIONAL AUDIO CO.,LTD.**

AIA Sathorn Tower, unit 1607-1608, 16th floor, No.11/1, South Sathorn Road, Yannawa, Sathorn, Bangkok 10120

REV 2