

**NT  
SERIES**

# 15NT-100SW

Neodymium Magnet Die-cast Chassis Driver

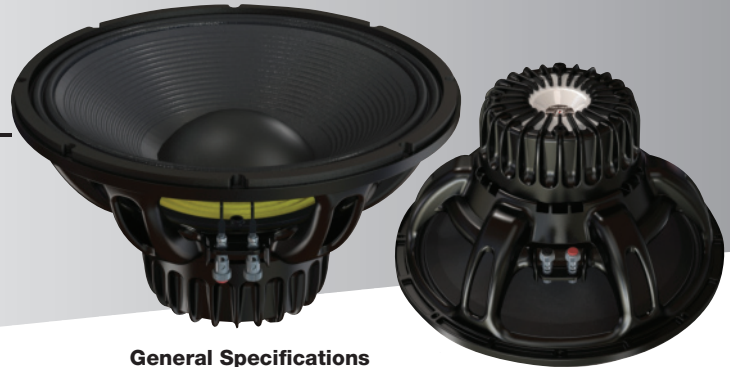
## Features

- 3.9" Very high temperature sandwich voice coil
- 2000 Watts continuous power handling
- Active Auto Balanced Cooling
- Neodymium magnetics
- Copper wire inside/outside coil design
- Double spiders silicon suspension
- Integrated double demodulation rings
- Die cast aluminum chassis
- Weather protected cone

## Applications

- 15" Neodymium ultra low distortion woofer for high level subwoofer application In bass reflex enclosures

The P Audio 15NT-100SW is a high performance wide bandwidth transducer. The 15NT-100SW is an upgraded design that features many of P Audio's new technologies and performance upgrades. The 15 inch (381mm) diameter piston will produce extremely high sound pressure levels at both low and mid band frequencies and is ideal for high level response in both live sound and recorded music venues. The transducer uses very high energy neodymium magnetics to achieve a very high acoustic output to weight ratio. The 15NT-100SW has been optimized for use in two way or three way sound reinforcement systems and has an operating range of 45Hz to 1000Hz. The 15NT-100SW features a large 3.9 inch (99.3mm) diameter voice coil that provides an AES rated 2000W of continuous power handling and a full 4000W of peak rated power handling when sufficient amplifier headroom is available. Coating keeps the cone rigid and waterproof during operation. P Audio's Auto Balanced Cooling (ABC) technology to not only improve transducer power handling and reliability but to also increase power compression performance by carefully balancing and directing airflow to critical areas. The voice coil design is a bobbin wound geometry with P Audio's inside/outside wire technology to improve conversion efficiency and provide a large cross-sectional area for superior cooling. The transducer chassis is a die cast aluminum design that insures a very high degree of structural integrity.



## General Specifications

Nominal Diameter	381 mm (15 in)
Nominal Impedance	8 Ω
Nominal Power Handling	1000 W(AES)
Continuous Power Handling	2000 W
Sensitivity	96 dB
Frequency Range	45-10000 Hz
Voice Coil Diameter	99.3 mm (3.9 in)
Voice Coil Material	Copper (in+out)
Former Material	Glass fiber
Effective Piston Diameter	331.9 mm (13.1 inch)
Flux Density	1.20 T

## Physical Information

Magnet Material	Neodymium
Basket Material	Aluminium
Surround Material	Cloth
Cone Material	Paper
Dust Cap Material	Paper
Spider Material	Cotton
Gasket	EVA
Pole Design	Straight Pole
Woofer Cone Treatment	Waterproof Front Side

## Parameters

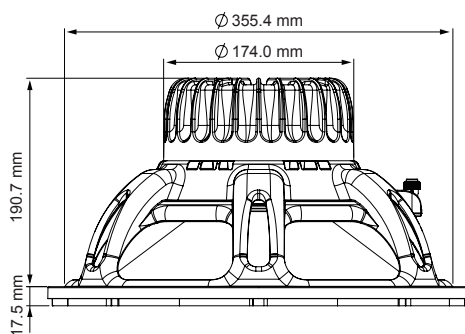
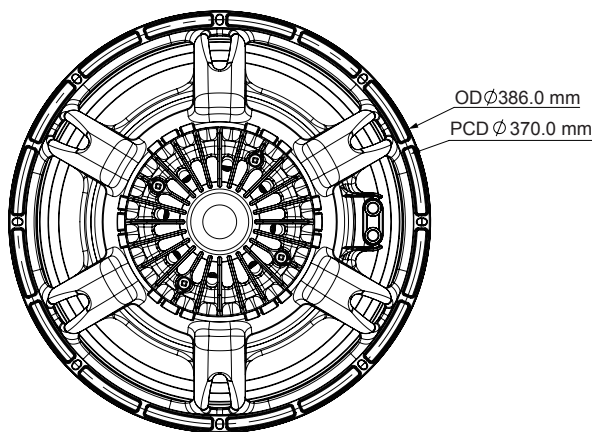
Fs	47 Hz	Sd	855.29 cm <sup>2</sup>
Re	6.5 Ω	Le	0.79 mH
Qms	9.53	Eff (η <sub>0</sub> )	1.59%
Qes	0.51	Cms	7.7 e-05 m/N
Qts	0.49	Rms	4.57 Ns/m
BL	23.3 Tm	Xmax	5.5 mm
Mms	147.7 g	Hag	14.0mm
Mmd	133.30 g	Hvc	25.0 mm
Vas	80.62 lt		

## Mounting and Shipping Info

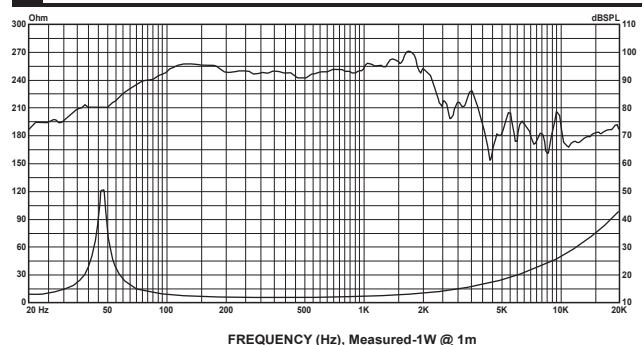
Diameter	386.0 mm (15.2 in)
Baffle Cutout Diameter	355.0 mm (14 in)
Mounting Hole Diameter	370.0 mm (14.6 in)
Bolt Circle Diameter	8 x Ø (9.0x6.0) mm
Depth	190 mm (7.5 in)
Flange and Gasket Thickness	17.5 mm
Net Weight	N/A
Shipping Units	1
Shipping Weight	N/A
Shipping Box	410 x 410 x 240 mm

## Recone Kit

Model no.



## Frequency response and Impedance curve



STH PROFESSIONAL AUDIO CO.,LTD.

AIA Sathorn Tower, unit 1607-1608, 16th floor, No.11/1, South Sathorn Road, Yannawa, Sathorn, Bangkok 10120

REV 1