

**NT
SERIES**

12NT-76MB

Neodymium Magnet Die-cast Chassis Driver

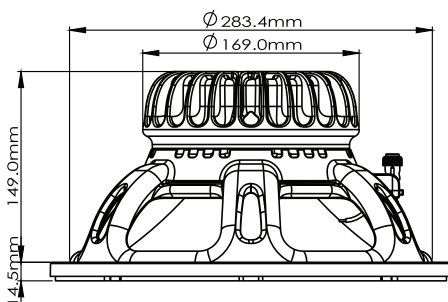
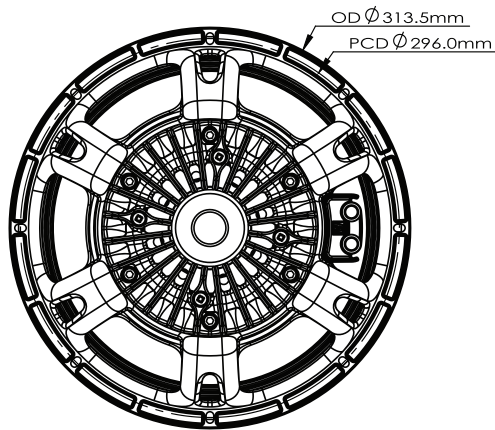
Features

- 3" Voice coil high temperature
- 1000 Watts continuous program power capacity
- Neodymium magnetics
- Precision rectangular wire geometry
- Die cast aluminum chassis
- integrated double demodulation ring
- Weather protected cone

Applications

- 12" Neodymium ultra low distortion midrang driver for use in high power lineary and fixed installation professional loudspeaker enclosures

The P Audio 12NT-76MB is a high performance wide bandwidth transducer. The 12NT-76MB is an upgraded design that features many of P Audio's new technologies and performance upgrades. The 12 inch (305mm) diameter piston will produce extremely high sound pressure levels at both low and mid band frequencies and is ideal for high level response in both live sound and recorded music venues. The transducer uses very high energy neodymium magnetics to achieve a very high acoustic output to weight ratio. The 12NT-76MB has been optimized for use in two way or three way sound reinforcement systems and has an operating range of 55Hz to 5000Hz. The 12NT-76MB features a large 3 inch (76.2mm) diameter voice coil that provides an AES rated 1000 watts of continuous program power capacity and a full 2000 watts of peak rated power handling when sufficient amplifier headroom is available. The perfect match of material and geometry mean ultra-low distortion of cone movement and ultra-low distortion of sound. Coating keeps the cone rigid and waterproof during operation. The voice coil design is a bobbin wound geometry with P Audio's Aluminum wire technology to improve conversion efficiency and provide a large crosssectional area for superior cooling. The transducer chassis is a die cast aluminum design that insures a very high degree of structural integrity.



General Specifications

Nominal Diameter	305 mm (12 in)
Nominal Impedance	8 Ω
Nominal Power Handling	500 W(AES)
Continuous Program Power Capacity	1000 W
Sensitivity	97 dB
Frequency Range	55-5000 Hz
Voice Coil Diameter	76.2 mm (3.0 in)
Voice Coil Material	Flat aluminium wire
Former Material	Kapton
Effective Piston Diameter	260.7 mm (10.3 inch)
Flux Density	1.20 T

Physical Information

Magnet Material	Neodymium
Basket Material	Aluminium
Surround Material	Cloth
Cone Material	Paper
Dust Cap Material	Paper
Spider Material	Cotton
Gasket	EVA
Pole Design	Straight Pole
Woofer Cone Treatment	Waterproof Front Side

Parameters

Fs	50 Hz	Vas	71.61 lt
Re	6.4 Ω	Sd	530.9 cm ²
Qms	8.40	Le	0.58 mH
Qes	0.37	Eff (η _e)	2.27%
Qts	0.36	Cms	1.7 e-05 m/N
BL	17.41Tm	Xmax	4.75 mm
Mms	57.04 g	Hag	9.5 mm
Mmd	50.00 g	Hvc	19.0 mm

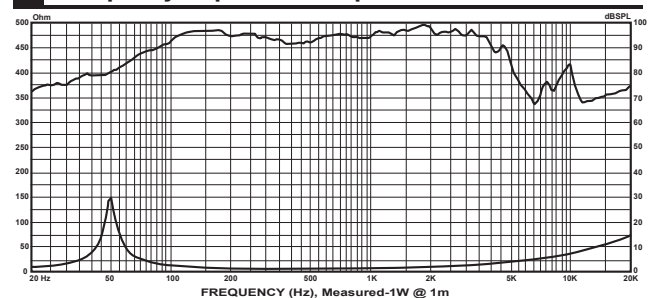
Mounting and Shipping Info

Diameter	313.5 mm (12.3 in)
Baffle Cutout Diameter	283.4 mm (11.2 in)
Mounting Hole Diameter	296.0 mm (11.7 in)
Bolt Circle Diameter	8 x Ø (9.0x6.0) mm
Depth	149.0 mm (5.9 in)
Flange and Gasket Thickness	14.5 mm
Net Weight	5.3 kg
Shipping Units	1
Shipping Weight	N/A
Shipping Box	340 x 340 x 202 mm

Recone Kit

Model no.

Frequency response and Impedance curve

**STH PROFESSIONAL AUDIO CO.,LTD.**

AIA Sathorn Tower, unit 1607-1608, 16th floor, No.11/1, South Sathorn Road, Yannawa, Sathorn, Bangkok 10120

REV 6