

**SD  
SERIES**

# SD-75BF

Ferrite Magnet Compression Driver

## Features

- 200 W continuous program power capacity
- 1.4" Horn Throat diameter
- 76.2 mm (3 inch) voice coil
- Titanium Diaphragm
- 8000 - 18000 Hz respons
- 110 dB sensitivity



The P Audio SD-75BF is a large format compression driver that utilizes a precision formed diaphragm assembly. The titanium diaphragm is precision formed to insure excellent consistency and performance. The newly developed magnetic circuit has been extensively modeled in order to reduce weight while maintaining very high magnetic gap energy. The diaphragm assembly is close spaced to a precision phase plug to insure excellent acoustic loading. The SD-75BF has an operating range of 800Hz to 20kHz and is ideally suited for two way and three way high frequency applications in professional sound reinforcement systems.

The SD-75BF is a ferrite based magnetic system with an industry standard 1.4 inch (35.5mm) exit diameter. The mounting configuration is a standard "bolt on" style. P Audio offers a wide variety high frequency horns that will provide excellent pattern control and acoustic loading for the SD-75BF.

The diaphragm assembly is a 3 inch (76.2mm) diameter commercially pure titanium design and utilizes P Audio's very high temperature adhesive systems and precision manufacturing to insure high power handling and reliability. The construction yields a full 100 watts of power handling capacity. The larger diaphragm diameter (3 inch) provides superior mid band response and is an excellent choice for high power professional sound reinforcement systems.

## General Specifications

Throat Diameter	35.5 mm (1.4 in)
Nominal Impedance	8 Ω
Nominal Power Handling	100 W(AES)
Continuous Program Power Capacity	200 W
Sensitivity	110 dB
Frequency Range	800-18000 Hz
Voice Coil Diameter	76.2 mm (3 in)
Winding Material	AL-R
Recommended Crossover	1200 kHz
Diaphragm Material	Titanium
Flux Density	1.6T
Magnet Material	Ferrite
Mounting Type	Bolt On

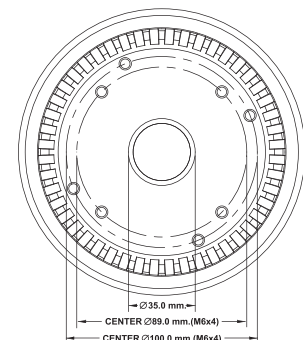
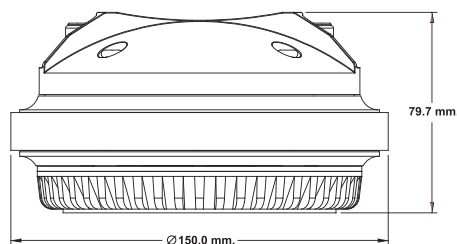
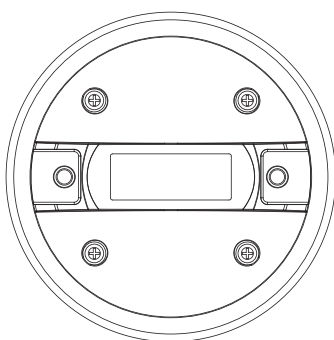
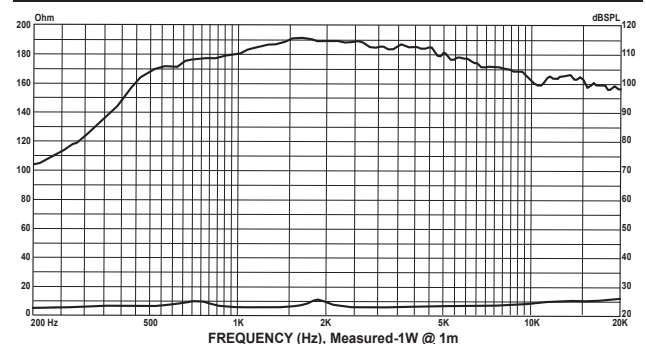
## Mounting and Shipping Info

Overall Diameter	50 mm (5.9 in)
Mounting hole diameter	4xM6 PCD 89mm / 4xM6 PCD 100mm
Depth	79.7 mm (3.1 in)
Net Weight	2.8 kg
Shipping Units	8 pcs
Shipping Weight	23.8 kg
Shipping Box	356 x 356 x 250 mm

## Service Kit

Replacement Coil	R3803001721
------------------	-------------

## Frequency response and Impedance curve

**STH PROFESSIONAL AUDIO CO.,LTD.**

AIA Sathorn Tower, unit 1607-1608, 16th floor, No.11/1, South Sathorn Road, Yannawa, Sathorn, Bangkok 10120

REV 1