

**SD
SERIES**

SD-63BF-1.4

Ferrite Magnet Compression Driver

Features

- 160 W continuous program power capacity
- 1.4" Horn Throat diameter
- 63 mm (2.48 inch) voice coil
- Titanium Diaphragm
- 1000 - 18000 Hz respons
- 108 dB sensitivity



The P Audio SD-63BF-1.4 is a ultra medium format compression driver that utilizes a precision formed diaphragm assembly. The titanium diaphragm is precision formed to insure excellent consistency and performance. The diaphragm assembly is close spaced to a precision phase plug to insure excellent acoustic loading. The SD-63BF-1.4 has an operating range of 1000Hz to 20kHz and is ideally suited for two way and three way high frequency applications in professional sound reinforcement systems.

The SD-63BF-1.4 is a ferrite based magnetic system with an industry standard 1.4 inch (35.5mm) exit diameter. The mounting configuration is a standard "bolt on" style. P Audio offers a wide variety high frequency horns that will provide excellent pattern control and acoustic loading for the SD-63BF. The ferrite magnet design has been extremely weight optimized to provide a very high output to weight ratio.

The diaphragm assembly is a 2.5 inch (63.5mm) diameter commercially pure titanium design and utilizes P Audio's very high temperature adhesive systems and precision manufacturing to insure high power handling and reliability. The construction yields a full 80 watts of power handling capacity. The larger diaphragm diameter (2.5 inch) provides superior mid band response and is an excellent choice for medium power professional sound reinforcement systems.

General Specifications

Throat Diameter	35.5 mm (1.4 in)
Nominal Impedance	8 Ω
Nominal Power Handling	80 W(AES)
Continuous Program Power Capacity	160 W
Sensitivity	108 dB
Frequency Range	1000-18000 Hz
Voice Coil Diameter	63.0 mm (2.48 in)
Winding Material	AL-R
Recommended Crossover	1500 kHz
Diaphragm Material	Titanium
Flux Density	1.7T
Magnet Material	Ferrite
Mounting Type	Bolt On

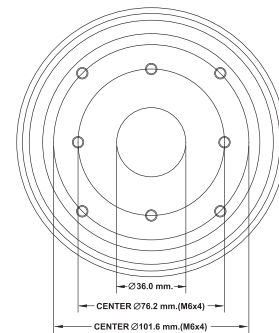
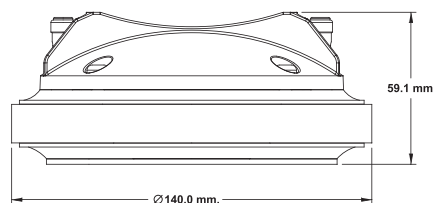
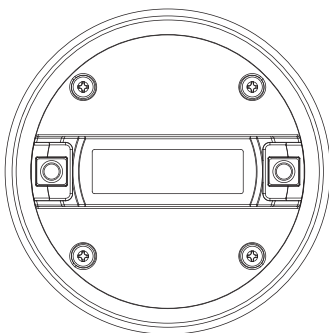
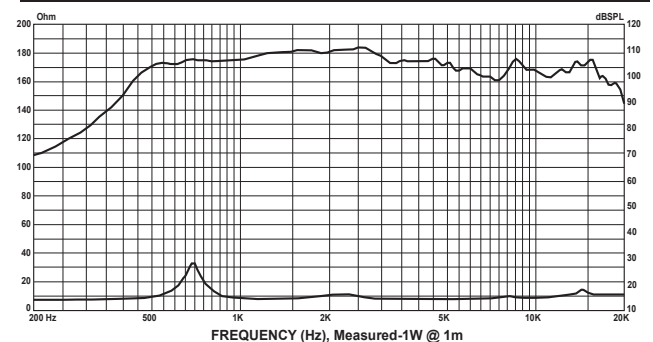
Mounting and Shipping Info

Overall Diameter	140 mm (5.5 in)
Mounting hole diameter	4xM6 PCD 76.2 mm / 4xM6 PCD 101.6 mm
Depth	59.1 mm (2.3 in)
Net Weight	2.0 kg
Shipping Units	10 pcs
Shipping Weight	21.5 kg
Shipping Box	395 x 310 x 185 mm

Service Kit

Replacement Coil	F05029006101PAA
------------------	-----------------

Frequency response and Impedance curve



STH PROFESSIONAL AUDIO CO.,LTD.

AIA Sathorn Tower, unit 1607-1608, 16th floor, No.11/1, South Sathorn Road, Yannawa, Sathorn, Bangkok 10120

REV 1