

SD SERIES

SD-44BN

Neodymium Magnet Compression Driver

Features

- 100 W continuous program power capacity
- 1" Horn Throat diameter
- 44 mm (1.75 inch) voice coil
- Titanium Diaphragm
- 1200 - 20000 Hz respons
- 108 dB sensitivity



The P Audio SD-44BN is a medium format compression driver that utilizes a precision formed diaphragm assembly. The titanium diaphragm is precision formed to insure excellent consistency and performance. The diaphragm assembly is close spaced to a precision phase plug to insure excellent acoustic loading. The SD-44BN has an operating range of 1200Hz to 20000Hz and is ideally suited for two way and three way high frequency applications in professional sound reinforcement systems.

The SD-44BN is a neodymium based magnetic system with an industry standard 1 inch (25.4mm) exit diameter. The mounting configuration is a standard "bolt on" style. P Audio offers a wide variety high frequency horns that will provide excellent pattern control and acoustic loading for the SD-44BN. The uses of neodymium magnetics allows the SD-44BN to be used in "close spaced" array designs such as modern high output line arrays.

The diaphragm assembly is a 1.75 inch (44.4mm) diameter commercially pure titanium design and utilizes P Audio's very high temperature adhesive systems and precision manufacturing to insure high power handling and reliability. The construction yields a full 50 watts of power handling capacity. The larger diaphragm diameter (1.75 inch) provides superior mid band response and is an excellent choice for medium power professional sound reinforcement systems.

General Specifications

Throat Diameter	25.4 mm (1.0 in)
Nominal Impedance	8 Ω
Nominal Power Handling	50 W(AES)
Continuous Program Power Capacity	100 W
Sensitivity	108 dB
Frequency Range	1200-20000 Hz
Voice Coil Diameter	44.4 mm (1.75 in)
Winding Material	AL-R
Recommended Crossover	1500 kHz
Diaphragm Material	Titanium
Flux Density	2.1T
Magnet Material	Neodymium
Mounting Type	Bolt On

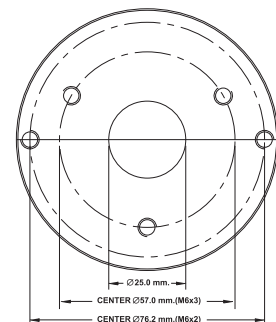
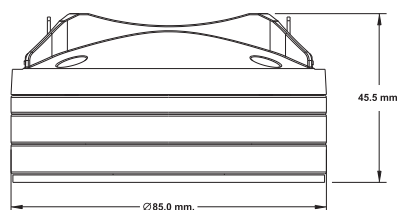
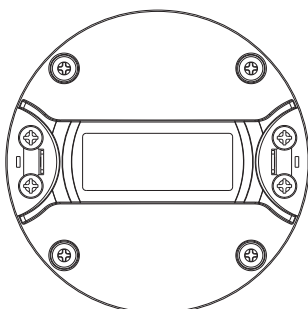
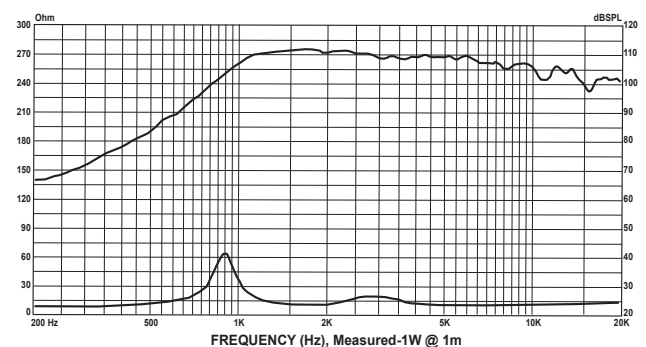
Mounting and Shipping Info

Overall Diameter	85 mm (3.3 in)
Mounting hole diameter	3xM6 PCD 57mm / 2xM6 PCD 76.2mm
Depth	45.5 mm (1.7 in)
Net Weight	0.8 kg
Shipping Units	12 pcs
Shipping Weight	11.1 kg
Shipping Box	290 x 200 x 150 mm

Service Kit

Replacement Coil	F05029006201PAA
------------------	-----------------

Frequency response and Impedance curve



STH PROFESSIONAL AUDIO CO.,LTD.

AIA Sathorn Tower, unit 1607-1608, 16th floor, No.11/1, South Sathorn Road, Yannawa, Sathorn, Bangkok 10120

REV 1