

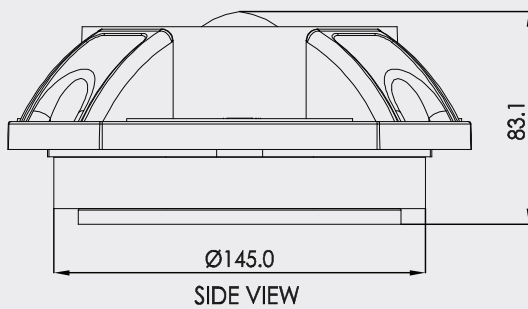
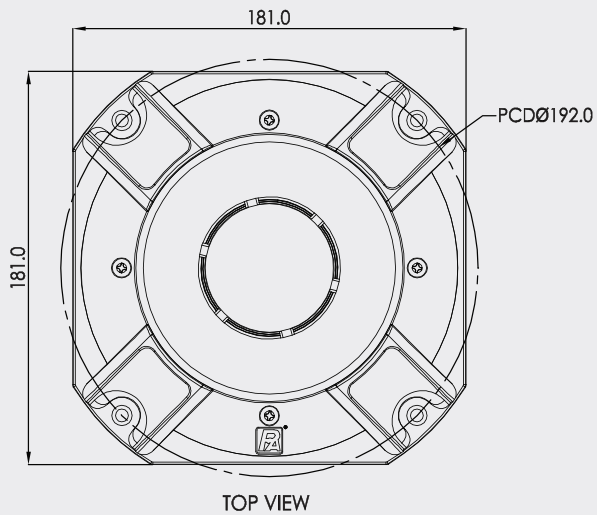
# PST-888 v2

High Frequency Supper Tweeter



## Features

- Large format super tweeter
- 320 watts peak power handling
- Phenolic resin 2.45" diaphragm diameter
- Ferrite magnetics



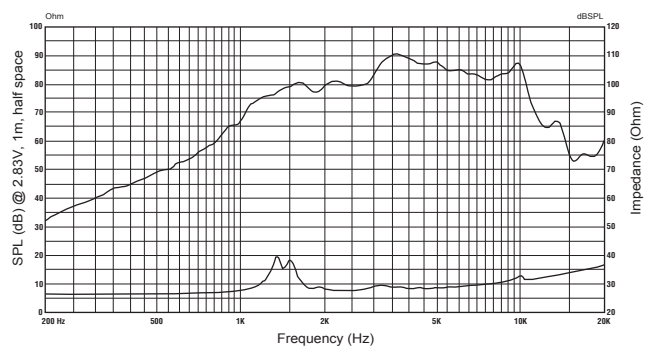
## GENERAL SPECIFICATIONS

Power Handling	80 W
Impedance	8 Ohm
Sensitivity (1w/1m)	106 dB
Frequency Range	2500 - 15000 Hz
Cutoff Frequency	2000 Hz
Dispersion (HxV)	40° (Conical)
Magnet Type	Ferrite
Diaphragm Material	Titanium
Voice coil Diameter	62.2 mm / 2.45 in
Voice coil Material	CCA-W
Horn Material	ABS Plastic

## SHIPPING INFORMATION

Unit Weight	3.4 kg / 7.5 lb
Packaging Dimension	190 x 190 x 120 mm
WxDxH	7.5 x 7.5 x 4.7 in

## Frequency response and Impedance curve



STH PROFESSIONAL AUDIO CO.,LTD.

AIA Sathorn Tower, unit 1607-1608, 16th floor, No.11/1, South Sathorn Road, Yannawa, Sathorn, Bangkok 10120