

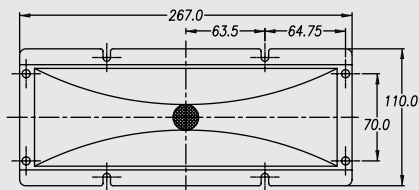
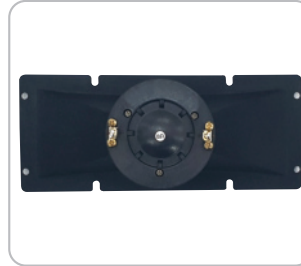
PHT-415

High Frequency Horn-Drivers

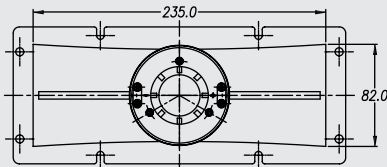


Features

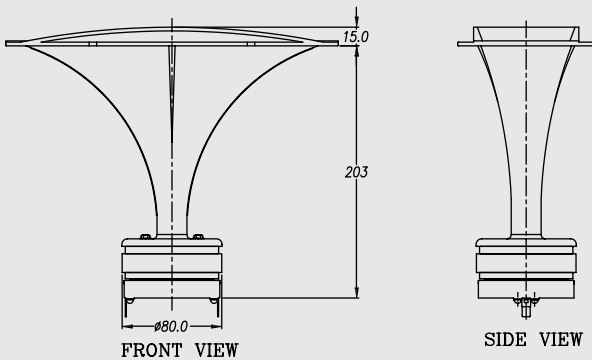
- Small speaker horn driver
- 120 watts peak power handling
- Pure titanium-based 1.0" diaphragm diameter
- Ferrite magnetics



TOP VIEW



BOTTOM VIEW



FRONT VIEW

SIDE VIEW

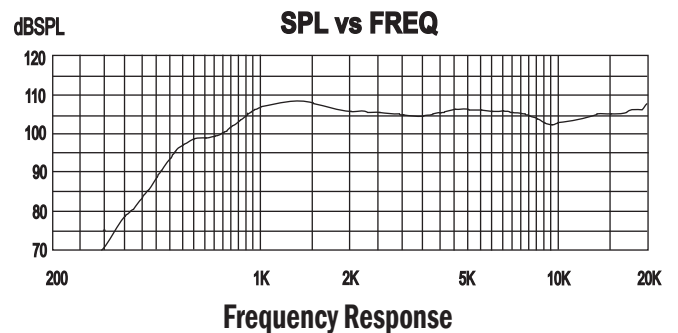
GENERAL SPECIFICATIONS

Diaphragm diameter	25.4 mm / 1 in
Power handling	30 W
Impedance	8 Ohm
Sensitivity (1w/1m)	105 dB
Frequency range	1500 - 20000 Hz
Cutoff frequency	1500 Hz
Nominal coverage angle (HxV) -6dB	100° x 80°
Material	Cast Aluminium
Magnet type	Ferrite
Diaphragm material	Titanium
Baffle cutout dimension	85x240 mm 3.35x9.45 in

SHIPPING INFORMATION

Unit weight	1.1 kg / 2.43 lb
Shipping Weight	1.4 kg / 3.09 lb
Packaging dimension	305x235x115 mm
WxDxH	12.01x9.25x4.53 in

Frequency response and Impedance curve



STH PROFESSIONAL AUDIO CO.,LTD.

11/1 AIA Sathorn Tower, 16th floor, unit 1607-1608, South Sathorn Road, Yannawa, Sathorn, Bangkok 10120 | www.paudiothailand.com