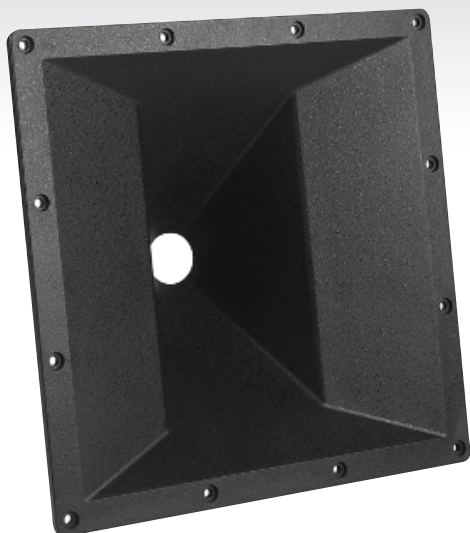


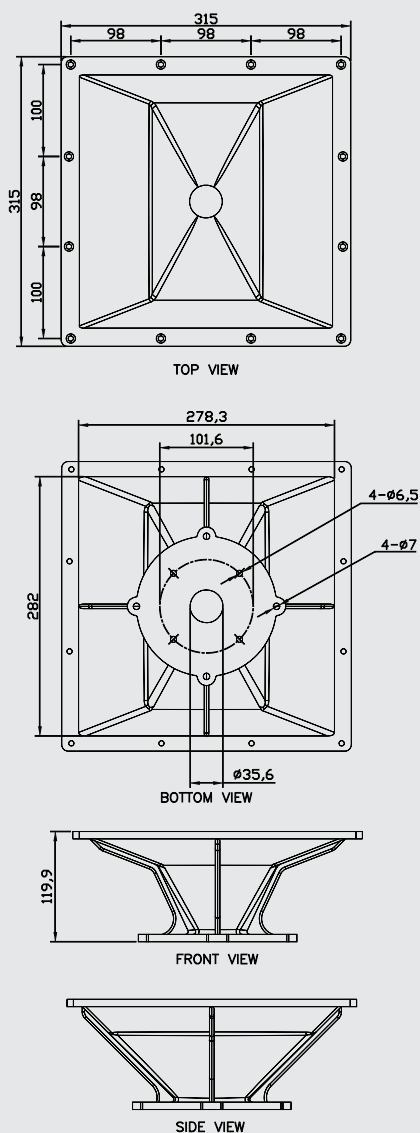
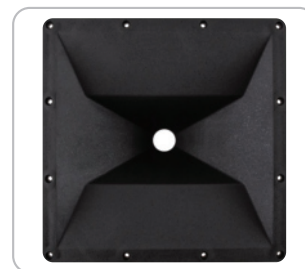
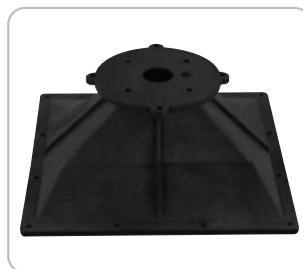
PH-94

High Frequency Horn



Features

- 1.4" throat entry
- 90° x 40° nominal coverage
- Cut off frequency 400 Hz



GENERAL SPECIFICATIONS

Throat diameter	35.5 mm / 1.4 in
Nominal coverage angle (HxV) -6dB	90° x 40°
Cutoff frequency	400 Hz
Mounting type	Bolt on
Material	Injection polymer A.B.S
Unit weight	1.3 kg / 2.9 lb
Shipping weight	1.7 kg / 3.7 lb
Packaging dimension WxDxH	340x340x145 mm 13.4x13.4x5.7 in

MOUNTING INFORMATION

Overall Dimensions

Mount Height	315 mm / 12.40 in
Mount Width	315 mm / 12.40 in
Depth	120 mm / 4.72 in

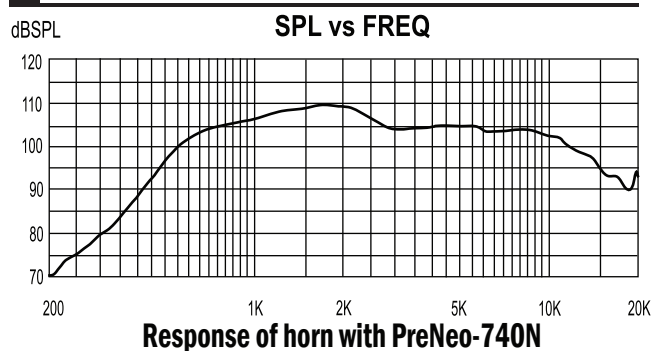
Mounting Dimensions

Rear Height	282 mm / 11.10 in
Rear Width	278 mm / 10.94 in

Baffle Cutout Dimensions

Height	284 mm / 11.18 in
Width	280 mm / 11.02 in

Frequency response and Impedance curve



STH PROFESSIONAL AUDIO CO.,LTD.

AIA Sathorn Tower, unit 1607-1608, 16th floor, No.11/1, South Sathorn Road, Yannawa, Sathorn, Bangkok 10120