

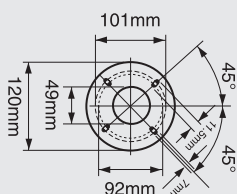
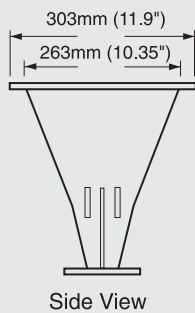
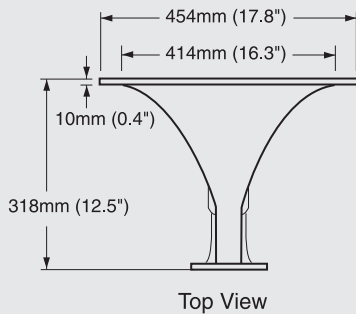
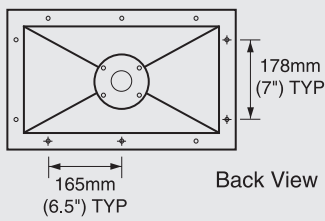
# PH-4530

## High Frequency Horn



### Features

- 2.0" throat entry
- 60° x 40° nominal coverage
- Cut off frequency 400 Hz



### GENERAL SPECIFICATIONS

Throat diameter	50 mm / 2 in
Nominal coverage angle (HxV) -6dB	60° x 40°
Cutoff frequency	400 Hz
Mounting type	Bolt on
Material	Injection polymer A.B.S
Unit weight	1.7 kg / 3.75 lb
Shipping weight	2.7 kg / 5.95 lb
Packaging dimension WxDxH	460x310x355 mm 18.1x12.2x14 in

### MOUNTING INFORMATION

#### Overall Dimensions

Mount Height	303 mm / 11.93 in
Mount Width	454 mm / 17.87 in
Depth	318 mm / 12.52 in

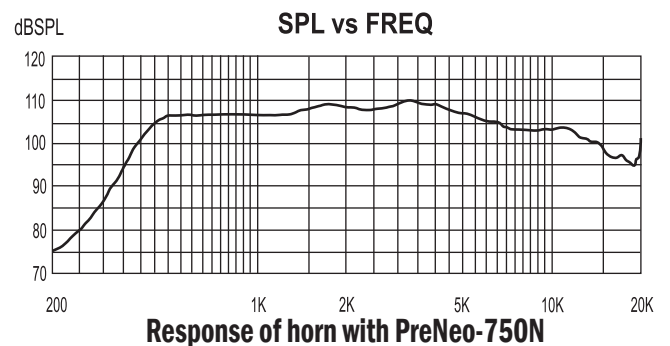
#### Mounting Dimensions

Rear Height	263 mm / 10.35 in
Rear Width	414 mm / 16.30 in

#### Baffle Cutout Dimensions

Height	268 mm / 10.55 in
Width	375 mm / 14.76 in

### Frequency response and Impedance curve



STH PROFESSIONAL AUDIO CO.,LTD.

AIA Sathorn Tower, unit 1607, 16th floor, 11/1 South Sathorn Road, Yannawa, Sathorn, Bangkok 10120 (Thailand) | www.paudiothailand.com