

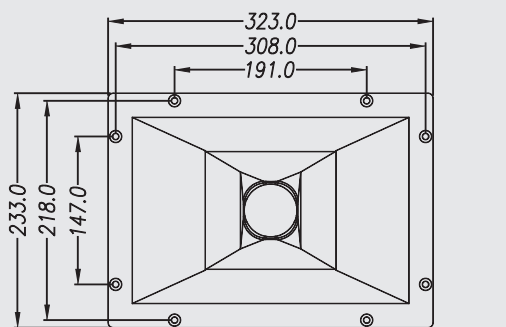
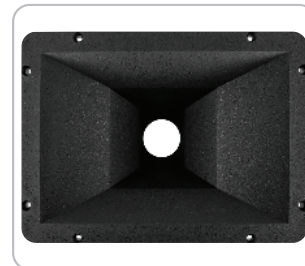
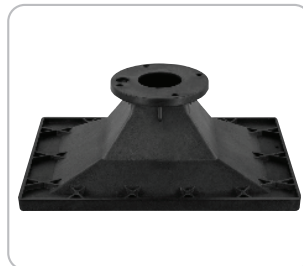
PH-3223

High Frequency Horn

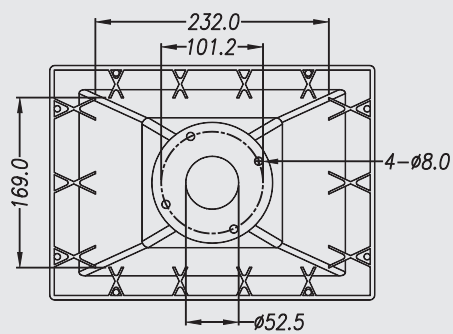


Features

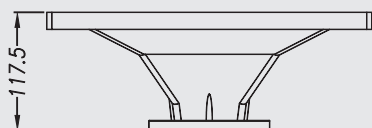
- 2.0" throat entry
- 90° x 55° nominal coverage
- Cut off frequency 500 Hz



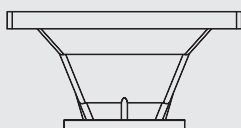
TOP VIEW



BOTTOM VIEW



FRONT VIEW



SIDE VIEW

GENERAL SPECIFICATIONS

Throat diameter	50 mm / 2 in
Nominal coverage angle (HxV) -6dB	90° x 55°
Cutoff frequency	500 Hz
Mounting type	Bolt on
Material	Injection polymer A.B.S
Unit weight	0.8 kg / 1.76 lb
Shipping weight	1.3 kg / 2.87 lb
Packaging dimension WxDxH	340x260x150 mm 13.4x10.2x5.9 in

MOUNTING INFORMATION

Overall Dimensions

Mount Height	234 mm / 9.21 in
Mount Width	323 mm / 12.72 in
Depth	117 mm / 4.61 in

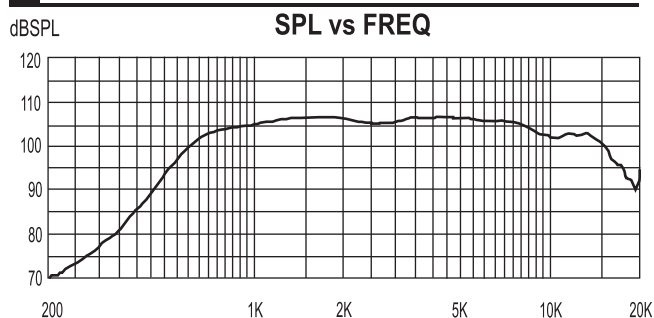
Mounting Dimensions

Rear Height	190 mm / 7.48 in
Rear Width	265 mm / 10.43 in

Baffle Cutout Dimensions

Height	170 mm / 6.69 in
Width	235 mm / 9.25 in

Frequency response and Impedance curve



Response of horn with PreNeo-750N



STH PROFESSIONAL AUDIO CO.,LTD.

AIA Sathorn Tower, unit 1607-1608, 16th floor, No.11/1, South Sathorn Road, Yannawa, Sathorn, Bangkok 10120