

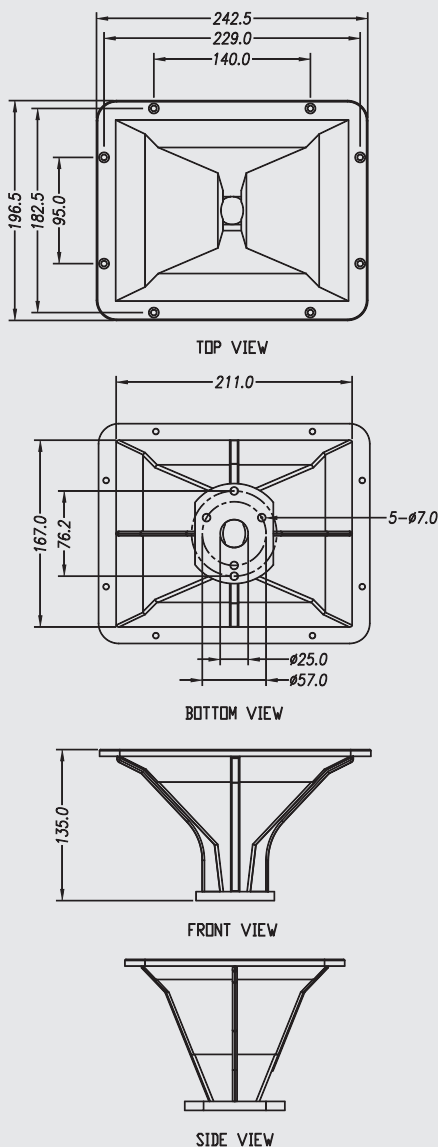
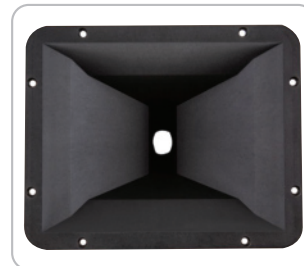
PH-2420

High Frequency Horn



Features

- 1.0" throat entry
- 90° x 40° nominal coverage
- Cut off frequency 600 Hz



GENERAL SPECIFICATIONS

Throat diameter	25.4 mm / 1 in
Nominal coverage angle (HxV) -6dB	90° x 40°
Cutoff frequency	600 Hz
Mounting type	Bolt on
Material	Injection polymer A.B.S
Unit weight	0.45 kg / 0.99 lb
Shipping weight	0.76 kg / 1.68 lb
Packaging dimension WxDxH	245x205x175 mm 9.6x8.1x6.9 in

MOUNTING INFORMATION

Overall Dimensions

Mount Height	196 mm / 7.72 in
Mount Width	242 mm / 9.53 in
Depth	135 mm / 5.31 in

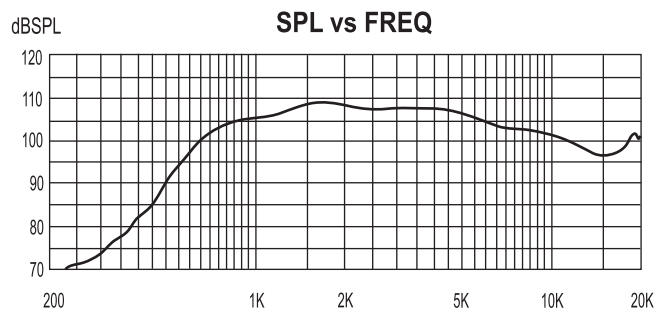
Mounting Dimensions

Rear Height	164 mm / 6.46 in
Rear Width	211 mm / 8.31 in

Baffle Cutout Dimensions

Height	168 mm / 6.61 in
Width	212 mm / 8.35 in

Frequency response and Impedance curve



Response of horn with BM-D440



STH PROFESSIONAL AUDIO CO.,LTD.

AIA Sathorn Tower, unit 1607-1608, 16th floor, No.11/1, South Sathorn Road, Yannawa, Sathorn, Bangkok 10120