

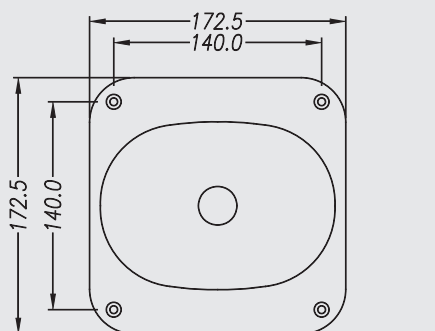
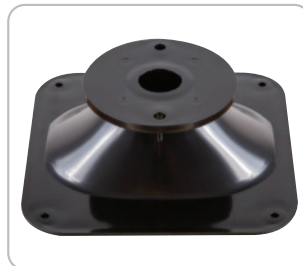
PH-170

High Frequency Horn

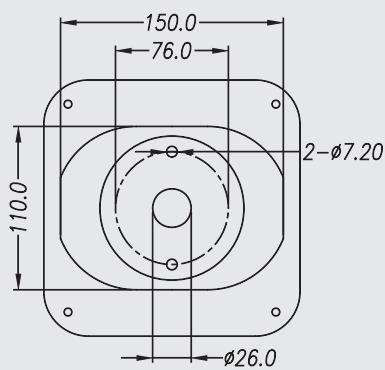


Features

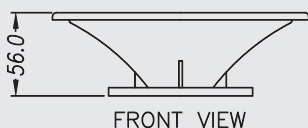
- 1.0" throat entry
- 90° x 65° nominal coverage
- Cut off frequency 800 Hz



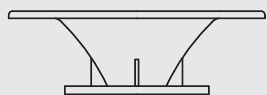
TOP VIEW



BOTTOM VIEW



FRONT VIEW



SIDE VIEW

GENERAL SPECIFICATIONS

Throat diameter	25.4 mm / 1 in
Nominal coverage angle (HxV) -6dB	90° x 65°
Cutoff frequency	800 Hz
Mounting type	Bolt on
Material	Injection polymer A.B.S
Unit weight	0.12 kg / 0.26 lb
Shipping weight	0.36 kg / 0.79 lb
Packaging dimension WxDxH	175x170x80 mm
	6.9x6.7x3.1 in

MOUNTING INFORMATION

Overall Dimensions

Mount Height	173 mm / 6.81 in
Mount Width	173 mm / 6.81 in
Depth	56 mm / 2.20 in

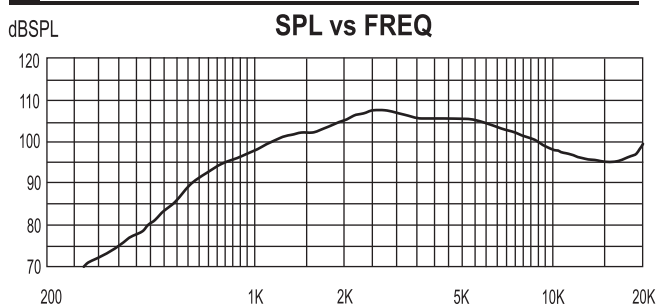
Mounting Dimensions

Rear Height	110 mm / 4.33 in
Rear Width	150 mm / 5.91 in

Baffle Cutout Dimensions

Height	115 mm / 4.53 in
Width	152 mm / 5.98 in

Frequency response and Impedance curve



Response of horn with BM-D440



STH PROFESSIONAL AUDIO CO.,LTD.

11/1 AIA Sathorn Tower, 16th floor, unit 1607-1608, South Sathorn Road, Yannawa, Sathorn, Bangkok 10120 | www.paudiothailand.com