

# E15-300S v2

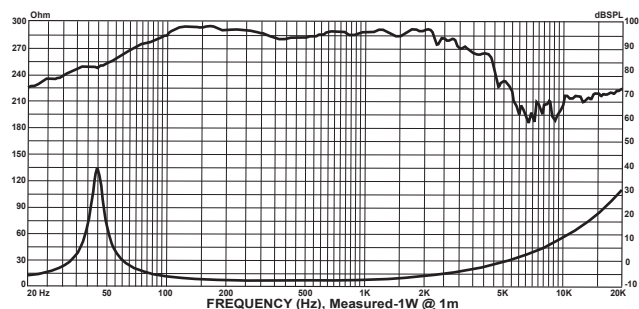
Ferrite Magnet Steel Chassis Driver



## Features

- 600 W continuous program power capacity
- 76.2 mm (3.0 inch) voice coil
- 40 - 3500 Hz response
- 97 dB sensitivity
- Ferrite magnet

## Frequency response and Impedance curve



## General Specifications

Nominal Diameter	381 mm (15 in)
Nominal Impedance	8 Ω
Nominal Power Handling	300 W(AES)
Continuous Power Handling	600 W
Sensitivity	97 dB
Frequency Range	40-3500 Hz
Voice Coil Diameter	76.2 mm (3.0 in)
Voice Coil Material	SV-W
Former Material	Kapton
Effective Piston Diameter	332.0 mm (13.0 in)
Flux Density	1.2T

## PARAMETERS

Resonance Frequency	44 Hz
Re	6.4 Ω
Qms	7.59
Qes	0.38
Qts	0.36
BL	20.05Tm
Mms	85.60 g
Mmd	71.22 g
Vas	156.18 lt
Sd	855 cm <sup>2</sup>
Le	0.90 mH
Eff (η <sub>0</sub> )	3.42%
Cms	1.5 e-04 m/N
Rms	3.14 Ns/m
Xmax	4.25 mm
Hag	10.0 mm
Hvc	18.5 mm

## Physical Information

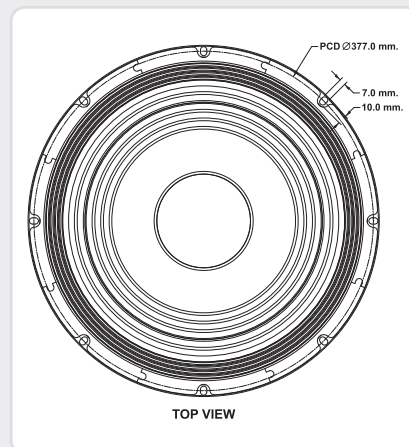
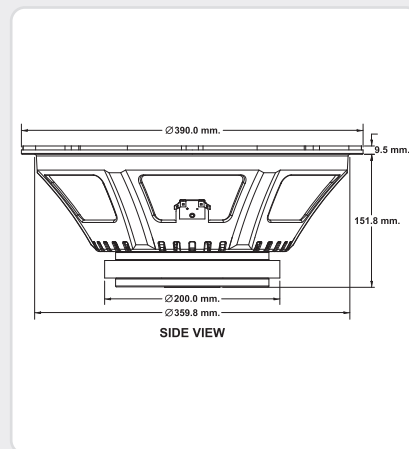
Magnet Material	Ferrite
Basket Material	Heavy Duty Stamp Steel
Surround Material	Cloth
Cone Material	Paper
Dust Cap Material	Paper
Spider Material	Cotton (Single)
Gasket	EVA
Pole Design	T-Pole
Woofer Cone Treatment	No Treatment

## MOUNTING AND SHIPPING INFO

Diameter	390.0 mm (15.3 in)
Baffle Cutout Diameter	359.8mm (14.1 in)
Mounting Hole Diameter	377.0 mm (14.8 in)
Bolt Circle Diameter	8 x Ø (7x10) mm
Depth	151.8 mm (5.9 in)
Flange and Gasket Thickness	9.5 mm (0.37 in)
Net Weight	7.3 kg
Shipping Units	1
Shipping Weight	8.4 kg
Shipping Box	430 x 430 x 210 mm 16.9 x 16.9 x 8.3 in

## SERVICE KIT

Recone kit	F05031512101PAA
------------	-----------------



STH PROFESSIONAL AUDIO CO.,LTD.

11/1 AIA Sathorn Tower, 16th floor, unit 1607-1608, South Sathorn Road, Yannawa, Sathorn, Bangkok 10120 | www.paudiothailand.com