

E
SERIES

E12-300S v2

Ferrite Magnet Die-cast Chassis Driver

Features

- 600 W continuous program power capacity
- 76.2 mm (3.0 inch) voice coil
- 50 - 3500 Hz response
- 96 dB sensitivity
- Ferrite magnet



The P Audio E12-300S v2 is a high output low frequency transducer. The E12-300S v2 is an upgraded design that features many of P Audio's new technologies and performance upgrades. The 12 inch (305mm) diameter piston will produce extremely high sound pressure levels at very low frequencies and is ideal for high level deep bass and sub woofer response in both live sound and recorded music venues. The operating bandwidth of the E12-300S v2 is 50Hz to 3500Hz. The transducer uses high energy ferrite magnetics to achieve a very high acoustic output to weight ratio.

The E12-300S v2 employs a medium format 3 inch (76.2mm) diameter voice coil that provides an AES rated 300 watts of continuous power handling and a full 1200 watts of peak rated power handling when sufficient amplifier headroom is available. The E12-300S v2 utilizes P Audio's under damper venting technology to improve transducer air flow and reduce turbulence under the damper and around the voice coil.

The voice coil design is a bobbin wound geometry with P Audio's precision round wire technology to maximize system conversion efficiency.

The suspension has been designed specifically for high linear displacement and extended low frequency response.

The transducer chassis is a heavy gauge stamped steel design that insures a very high degree of structural integrity.

General Specifications

Nominal Diameter	305 mm (12 in)
Nominal Impedance	8 Ω
Nominal Power Handling	300 W(AES)
Continuous Program Power Capacity	600 W
Sensitivity	96 dB
Frequency Range	50-3500 Hz
Voice Coil Diameter	76.2 mm (3.0 in)
Voice Coil Material	CCA-W
Former Material	Glass fiber
Effective Piston Diameter	256.4 mm (10.0 in)
Flux Density	1.2T

Physical Information

Magnet Material	Ferrite
Basket Material	Heavy Duty Stamp Steel
Surround Material	Cloth
Cone Material	Paper
Dust Cap Material	Paper
Spider Material	Cotton (Single)
Gasket	EVA
Pole Design	T-Pole
Woofer Cone Treatment	No Treatment

Parameters

Fs	57 Hz	Vas	50.37 lt
Re	5.6 Ω	Sd	531 cm ²
Qms	7.65	Le	0.55 mH
Qes	0.42	Eff (η ₀)	2.17%
Qts	0.40	Cms	1.2 e-04 m/N
BL	17.12 Tm	Xmax	3.4 mm
Mms	61.29 g	Hag	10.0 mm
Mmd	54.26g	Hvc	16.8 mm

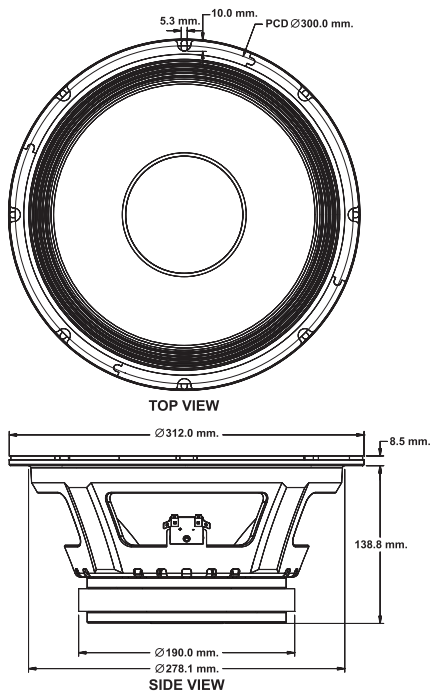
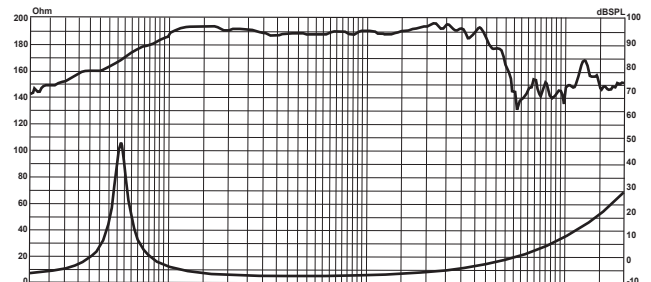
Mounting and Shipping Info

Diameter	312.0 mm (12.2 in)
Baffle Cutout Diameter	278.1 mm (10.9 in)
Mounting Hole Diameter	300 mm (11.8 in)
Bolt Circle Diameter	8 x Ø (5.3x10) mm
Depth	138.8 mm (5.4 in)
Flange and Gasket Thickness	8.5 mm (0.33 in)
Net Weight	7 kg
Shipping Units	1
Shipping Weight	7.5 kg
Shipping Box	355 x 355 x 200 mm

Recone Kit

F05031213301PAA

Frequency response and Impedance curve



STH PROFESSIONAL AUDIO CO.,LTD.

AIA Sathorn Tower, unit 1607-1608, 16th floor, No.11/1, South Sathorn Road, Yannawa, Sathorn, Bangkok 10120

REV 1