

# BMD SERIES

# BM-D750 2016

## High Frequency Ferrite Compression Driver

### Features

- 220 W continuous program power capacity
- 1.4" Horn Throat diameter
- 72.2 mm (2.84 inch) voice coil
- Titanium Diaphragm
- 1000 - 20000 Hz respons
- 108 dB sensitivity
- Shorting copper cap for extended HF response



The P. Audio has introduced a new series of compression drivers. The BMD 750 2016 is a state of the art high output compression driver. The newly developed driver features increased magnetic flux density and extended high frequency response. These changes to the diaphragm and magnet structure assembly have further increased the sound pressure levels and smoothed the response between 10 kHz and 20 kHz. The result is a more accurate system, particularly for upper vocal range program material. The new BM-D750 2016 driver utilizes CRT technology to substantially improve both the time domain response and reduce distortion through the critical upper vocal range (1.5 kHz to 5 kHz). CRT, Cavity Resonance Technology acts to acoustically minimize the cavity found under all suspension driver suspension elements. By employing CRT technology, P. Audio engineers have been able to greatly improve the vocal accuracy in the frequency range where vocal intelligibility is located.

The BM-D750 2016 is a large format titanium based diaphragm assembly mated to a close spaced circumferential phase plug geometry. The voice coil is a rectangular geometry, high temperature aluminum to insure extended high frequency response. This diaphragm geometry is ideally suited for foreground/background high performance pa systems. The 2 inch (50.8mm) throat exit makes the 750 an excellent choice for extended bandwidth and ultra high frequency applications such as three way designs.

The BM-D750 2016 is ideally suited for line array applications or other applications where a mid bass horn or direct radiator driver is also used. This large format throat and large format diaphragm insures wide dispersion at very high frequencies and is an excellent choice for three way systems or medium power two way designs. The 2 inch throat is compatible with a variety of P. Audio horns, including the new SC horn family and also compatible with industry standard 2 inch bolt on horns. The BM-D750 2016 is easily identified by its new cover and new cosmetics.

### General Specifications

Throat Diameter	50.8 mm (2.0 in)
Nominal Impedance	8 Ω
Nominal Power Handling	110 W(AES)
Continuous Program Power Capacity	220 W
Sensitivity	108 dB
Frequency Range	1000-20000 Hz
Voice Coil Diameter	72.2 mm (2.84 in)
Winding Material	AL-R
Recommended Crossover	1000 kHz
Diaphragm Material	Titanium
Flux Density	1.5T
Magnet Material	Ferrite
Mounting Type	Bolt On

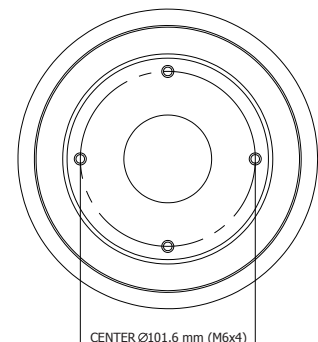
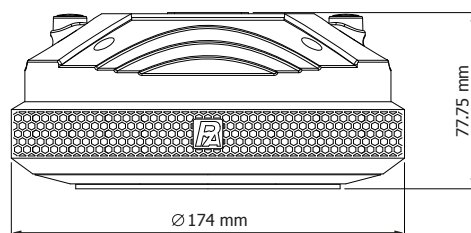
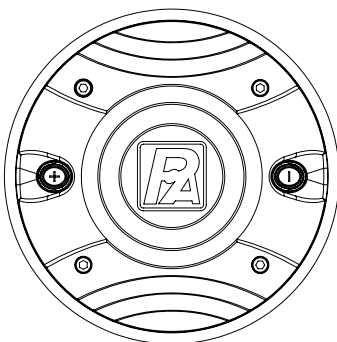
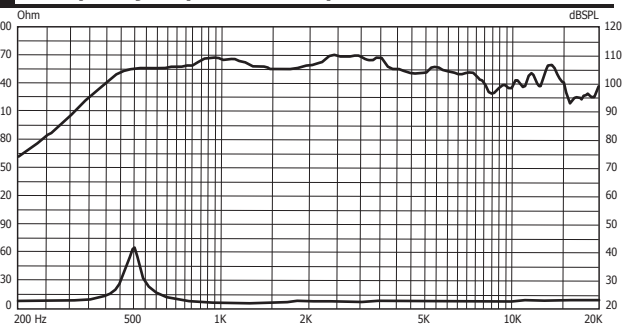
### Mounting and Shipping Info

Overall Diameter	174 mm (6.8 in)
Mounting hole diameter	4xM6 PCD 76.2mm
Depth	77.7 mm (3.0 in)
Net Weight	4.8 kg
Shipping Units	3 pcs
Shipping Weight	15.6 kg
Shipping Box	340 x 215 x 230 mm

### Service Kit

Replacement Coil	F05029000441PAA
------------------	-----------------

### Frequency response and Impedance curve



STH PROFESSIONAL AUDIO CO.,LTD.

AIA Sathorn Tower, unit 1607-1608, 16th floor, No.11/1, South Sathorn Road, Yannawa, Sathorn, Bangkok 10120

REV 1