

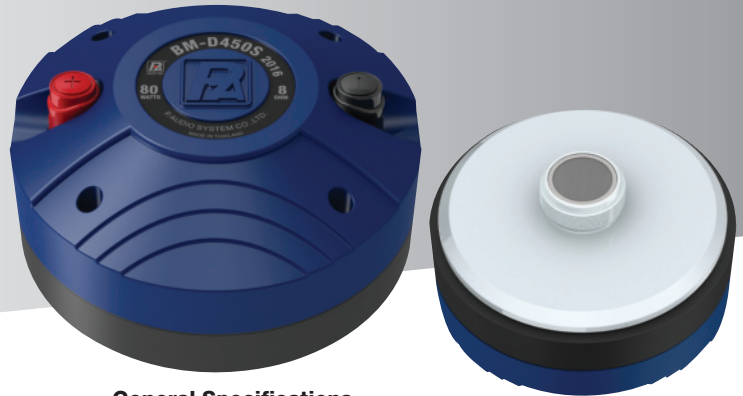
BMD SERIES

BM-D450S 2016

High Frequency Ferrite Compression Driver

Features

- 160 W continuous program power capacity
- 1" Horn Throat diameter
- 44 mm (1.75 inch) voice coil
- Titanium Diaphragm
- 1200 - 20000 Hz respons
- 109 dB sensitivity



The P. Audio has introduced a new series of compression drivers. The BMD 450S 2016 is a state of the art high output compression driver. The newly developed driver features increased magnetic flux density and extended high frequency response. The driver features increased power handling and increase sensitivity. The new BM-D450S 2016 drive utilizes CRT technology to substantially improve both the time domain response and reduce distortion through the critical upper vocal range (1.5 kHz to 5 kHz). CRT, Cavity Resonance Technology acts to acoustically minimize the cavity found under all suspension driver suspension elements. By employing CRT technology, P. Audio engineers have been able to greatly improve the vocal accuracy in the frequency range where vocal intelligibility is located. These changes to the diaphragm and magnet structure assembly have further increased the sound pressure levels and smoothed the response between 10 kHz and 20 kHz. The result is a more accurate system, particularly for upper vocal range program material.

The BM-D450S 2016 is a medium format titanium based diaphragm assembly mated to a close spaced circumferential phase plug geometry. The voice coil is a rectangular geometry, high temperature aluminum to insure extended high frequency response. This diaphragm geometry is ideally suited for foreground/background high performance pa systems. The 1 inch (25.4mm) throat exit makes the 450S an excellent choice for extended bandwidth and ultra high frequency applications suc as three way designs.

The BM-D450S 2016 is ideally suited for line array applications or other applications where a mid bass horn or direct radiator driver is also used. This medium format throat and medium format diaphragm insures wide dispersion at very high frequencies and is an excellent choice for three way systems or medium power two way designs. The 1 inch throat is compatible with a variety of P. Audio horns, and also compatible with industry standard 1 inch screw on style horns. The BM-D450S 2016 is easily identified by its new cover and new cosmetics.

General Specifications

Throat Diameter	25.4 mm (1.0 in)
Nominal Impedance	8 Ω
Nominal Power Handling	80 W(AES)
Continuous Program Power Capacity	160 W
Sensitivity	109 dB
Frequency Range	1200-20000 Hz
Voice Coil Diameter	44.4 mm (1.75 in)
Winding Material	AL-R
Recommended Crossover	1500 kHz
Diaphragm Material	Titanium
Flux Density	1.9T
Magnet Material	Ferrite
Mounting Type	Screw On

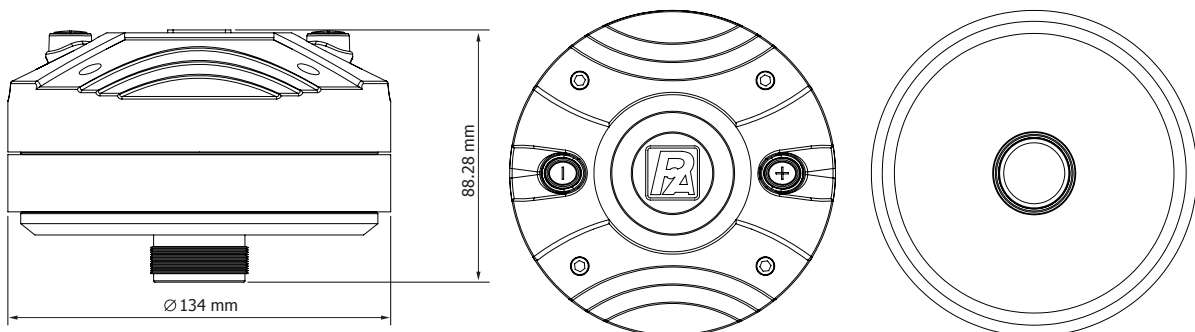
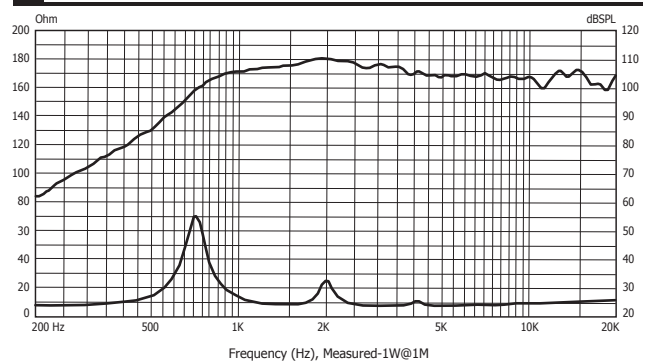
Mounting and Shipping Info

Overall Diameter	134 mm (5.2 in)
Mounting hole diameter	Screw (34.4 mm / 1.35 in)
Depth	88.3 mm (3.4 in)
Net Weight	2.9 kg
Shipping Units	8 pcs
Shipping Weight	26.5 kg
Shipping Box	300 x 300 x 215 mm

Service Kit

Replacement Coil	F05029000771PAA
------------------	-----------------

Frequency response and Impedance curve



STH PROFESSIONAL AUDIO CO.,LTD.

AIA Sathorn Tower, unit 1607-1608, 16th floor, No.11/1, South Sathorn Road, Yannawa, Sathorn, Bangkok 10120

REV 1