

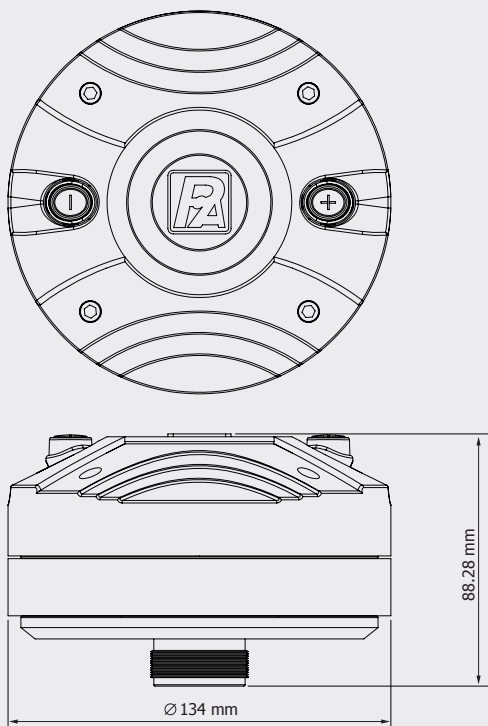
BM-D450S 2016

High Frequency Ferrite Compression Driver



Features

- 160 W continuous program power capacity
- 1" Horn Throat diameter
- 44 mm (1.75 inch) voice coil
- Titanium Diaphragm
- 1200 - 20000 Hz respons
- 109 dB sensitivity



GENERAL SPECIFICATIONS

Throat Diameter	25.4 mm (1.0 in)
Nominal Impedance	8 Ω
Nominal Power Handling	80 W(AES)
Continuous Power Handling	160 W
Sensitivity	109 dB
Frequency Range	1200-20000 Hz
Voice Coil Diameter	44.4 mm (1.75 in)
Winding Material	AL-R
Recommended Crossover	1500 kHz
Diaphragm Material	Titanium
Flux Density	1.9T
Magnet Material	Ferrite
Mounting Type	Screw On

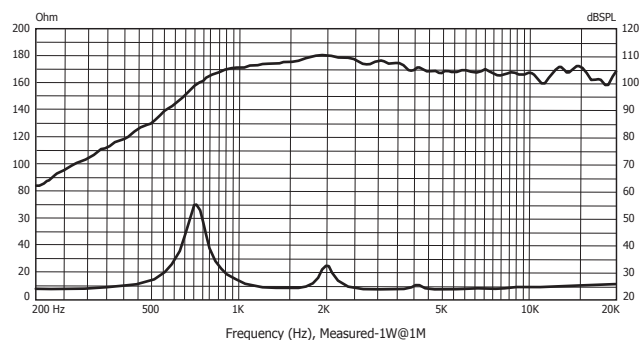
MOUNTING AND SHIPPING INFO

Overall Diameter	134 mm (5.2 in)
Mounting hole diameter	Screw (34.4 mm / 1.35 in)
Depth	88.3 mm (3.4 in)
Net Weight	2.9 kg
Shipping Units	8 pcs
Shipping Weight	26.5 kg
Shipping Box	300 x 300 x 215 mm

SERVICE KIT

Replacement Coil	F05029000771PAA
------------------	-----------------

Frequency response and Impedance curve



STH PROFESSIONAL AUDIO CO.,LTD.

AIA Sathorn Tower, unit 1607-1608, 16th floor, No.11/1, South Sathorn Road, Yannawa, Sathorn, Bangkok 10120