

**FT
SERIES**

15FT-88MB

Ferrite Magnet Die-cast Chassis Driver

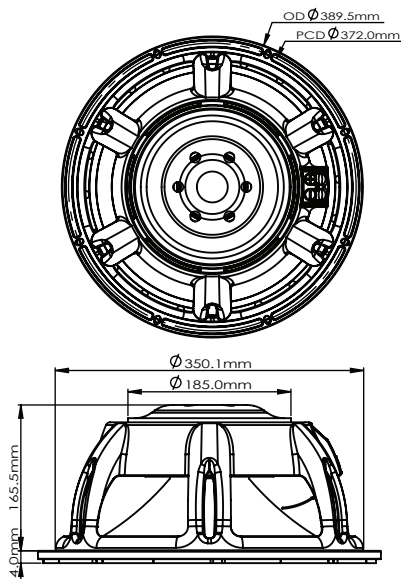
Features

- 3.5" Voice coil high temperature
- 1400 Watts Continuous program power capacity
- Ferrite magnetics
- Precision rectangular wire geometry
- Die cast aluminum chassis
- Integrated double demodulation ring
- Weather protected cone

Applications

- 15" Ferrite ultra low distortion midrange driver for use in high power lineary and fixed installation professional loudspeaker enclosures

The P Audio 15FT-88MB is a high performance wide bandwidth transducer. The 15FT-88MB is an upgraded design that features many of P Audio's new technologies and performance upgrades. The 15 inch (381mm) diameter piston will produce extremely high sound pressure levels at both low and mid band frequencies and is ideal for high level response in both live sound and recorded music venues. The transducer uses very high energy ferrite magnetics to achieve a very high acoustic output to weight ratio. The 15FT-88MB has been optimized for use in two way or three way sound reinforcement systems and has an operating range of 50Hz to 4000Hz. The 15FT-88MB features a large 3.5 inch (88.9mm) diameter voice coil that provides an AES rated 1400W of continuous program power capacity and a full 2800W of peak rated power handling when sufficient amplifier headroom is available. The perfect match of material and geometry mean ultra-low distortion of cone movement and ultra-low distortion of sound. The 15FT-88MB utilizes P Audio's Auto Balanced Cooling (ABC) technology to not only improve transducer power handling and reliability but to also increase power compression performance by carefully balancing and directing airflow to critical areas. Coating keeps the cone rigid and waterproof during operation. The voice coil design is a bobbin wound geometry with P Audio's precision rectangular wire technology to insure high conversion efficiency. The system suspension has been designed specifically for high linear displacement and extended low frequency response. The 15FT-88MB also features a single spider configuration that provides system reliability and mechanical control. The transducer chassis is a die cast aluminum design that insures a very high degree of structural integrity



General Specifications

Nominal Diameter	381 mm (15 in)
Nominal Impedance	8 Ω
Nominal Power Handling	700 W(AES)
Continuous Program Power Capacity	1400 W
Sensitivity	98 dB
Frequency Range	50-4000 Hz
Voice Coil Diameter	88.9 mm (3.5 in)
Voice Coil Material	Flat aluminium wire
Former Material	Kapton
Effective Piston Diameter	336.4 mm (13.2 inch)
Flux Density	1.3 T

Physical Information

Magnet Material	Ferrite
Basket Material	Aluminium
Surround Material	Cloth
Cone Material	Paper
Dust Cap Material	Paper
Spider Material	Cotton
Gasket	EVA
Pole Design	T-Pole
Woofer Cone Treatment	No Treatment

Parameters

Fs	54 Hz	Vas	107.97 lt
Re	6.8 Ω	Sd	855.3 cm ²
Qms	10.15	Le	0.71 mH
Qes	0.63	Eff (η _e)	2.70%
Qts	0.59	Cms	9.7 e-05 m/N
BL	17.79 Tm	Xmax	4.75 mm
Mms	86.08 g	Hag	9.5 mm
Mmd	71.04 g	Hvc	19.0 mm

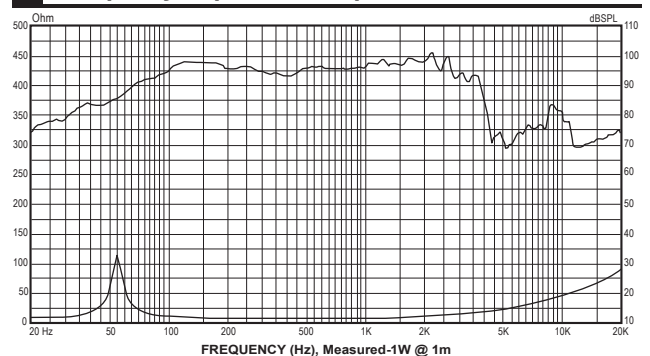
Mounting and Shipping Info

Diameter	389.5 mm (15.3in)
Baffle Cutout Diameter	350.1 mm (13.7 in)
Mounting Hole Diameter	372 mm (14.6 in)
Bolt Circle Diameter	8 x Ø (9.0x6.0) mm
Depth	165.5 mm (6.5 in)
Flange and Gasket Thickness	14.1 mm (0.55 in)
Net Weight	9.5 kg
Shipping Units	1
Shipping Weight	N/A
Shipping Box	415 x 415 x 225 mm

Recone Kit

Model no.

Frequency response and Impedance curve



STH PROFESSIONAL AUDIO CO.,LTD.

AIA Sathorn Tower, unit 1607-1608, 16th floor, No.11/1, South Sathorn Road, Yannawa, Sathorn, Bangkok 10120

REV 9