

**NX  
SERIES**

# 12NX-76MB

Neodymium Magnet Die-cast Chassis Driver

## Features

- 3" Voice coil high temperature
- 900 Watts continuous power handling
- Neodymium magnetics
- Precision rectangular wire geometry
- Die cast aluminum chassis
- Integrated double demodulation ring
- Weather protected cone

## Applications

- 12" Neodymium ultra low distortion midrang driver for use in high power lineary and fixed installation professional loudspeaker enclosures

The P Audio 12NX-76MB is a high performance wide bandwidth transducer optimized for use in mid bass frequencies. The 12NX-76MB is an upgraded design that features many of P Audios new technologies and performance upgrades. The 12 inch (305mm) diameter piston will produce extremely high sound pressure levels at both low and mid band frequencies and is ideal for high level response in both live sound and recorded music venues. The transducer uses very high energy neodymium magnetics to achieve a very high acoustic output to weight ratio. The 12NX-76MB has been optimized for use in two way or three way sound reinforcement systems and has an operating range of 55Hz to 5000Hz. The 12NX-76MB features a large 3 inch (76.2mm) diameter voice coil that provides an AES rated 900W of continuous power handling and a full 1800W of peak rated power handling when sufficient amplifier headroom is available. The perfect match of material and geometry mean ultra-low distortion of cone movement and ultra-low distortion of sound. Coating keeps the cone rigid and waterproof during operation. The voice coil design is a bobbin wound geometry with P Audio's edge wound rectangular wire technology to improve conversion efficiency and provide a large cross-sectional area for superior cooling. The transducer chassis is a die cast aluminum design that insures a very high degree of structural integrity.



## General Specifications

|                           |                      |
|---------------------------|----------------------|
| Nominal Diameter          | 305 mm (12 in)       |
| Nominal Impedance         | 8 Ω                  |
| Nominal Power Handling    | 450 W(AES)           |
| Continuous Power Handling | 900 W                |
| Sensitivity               | 98 dB                |
| Frequency Range           | 55-5000 Hz           |
| Voice Coil Diameter       | 76.2 mm (3 in)       |
| Voice Coil Material       | Flat aluminium wire  |
| Former Material           | Kapton               |
| Effective Piston Diameter | 263.0 mm (10.4 inch) |
| Flux Density              | 1.40 T               |

## Physical Information

|                       |                       |
|-----------------------|-----------------------|
| Magnet Material       | Neodymium             |
| Basket Material       | Aluminium             |
| Surround Material     | Cloth                 |
| Cone Material         | Paper                 |
| Dust Cap Material     | Paper                 |
| Spider Material       | Cotton                |
| Gasket                | EVA                   |
| Pole Design           | T-Pole                |
| Woofer Cone Treatment | Waterproof Front Side |

## Parameters

|     |          |                       |                       |
|-----|----------|-----------------------|-----------------------|
| Fs  | 55 Hz    | Sd                    | 551.5 cm <sup>2</sup> |
| Re  | 6.5 Ω    | Le                    | 0.40 mH               |
| Qms | 10.53    | Eff (η <sub>e</sub> ) | 4.24%                 |
| Qes | 0.27     | Cms                   | 1.5 e-04 m/N          |
| Qts | 0.27     | Rms                   | 1.67 Ns/m             |
| BL  | 20.60 Tm | Xmax                  | 4.75 mm               |
| Mms | 52.24 g  | Hag                   | 9.5 mm                |
| Mmd | 44.79 g  | Hvc                   | 19.0 mm               |
| Vas | 67.75 lt |                       |                       |

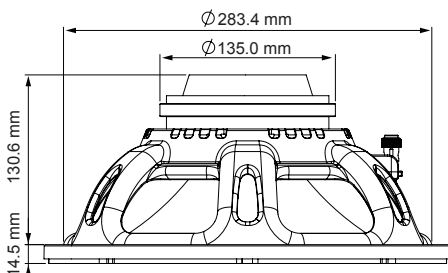
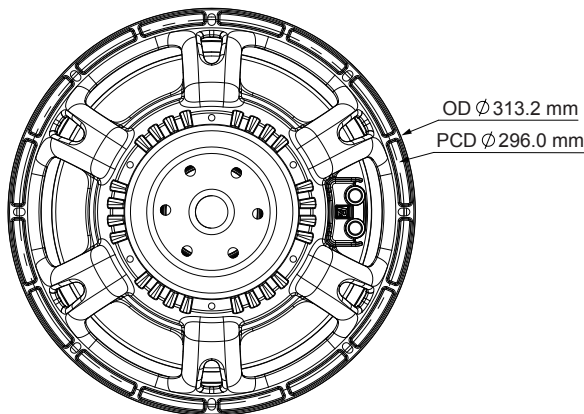
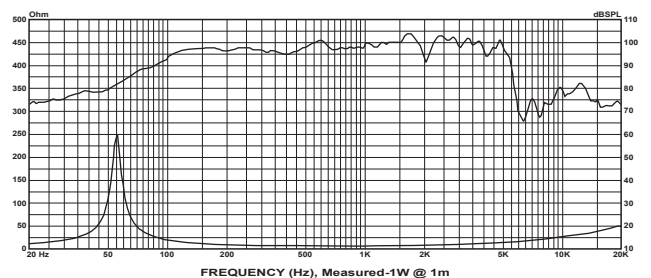
## Mounting and Shipping Info

|                             |                    |
|-----------------------------|--------------------|
| Diameter                    | 313.2 mm (12.3 in) |
| Baffle Cutout Diameter      | 283.4 mm (11.2 in) |
| Mounting Hole Diameter      | 296.0 mm (11.7 in) |
| Bolt Circle Diameter        | 8 x Ø (9.0x6.0) mm |
| Depth                       | 130.6 mm (5.1 in)  |
| Flange and Gasket Thickness | 19 mm              |
| Net Weight                  | N/A                |
| Shipping Units              | 1                  |
| Shipping Weight             | N/A                |
| Shipping Box                | 340 x 340 x 202 mm |

## Recone Kit

Model no.

## Frequency response and Impedance curve



STH PROFESSIONAL AUDIO CO.,LTD.

11/1 AIA Sathorn Tower, 16th floor, unit 1607-1608, South Sathorn Road, Yannawa, Sathorn, Bangkok 10120 | www.paudiothailand.com

REV 1