

**FT
SERIES**

12FT-76MB

Ferrite Magnet Die-cast Chassis Driver

Features

- 3" Voice coil high temperature
- 1000 Watts Continuous program power capacity
- Ferrite magnetics
- Precision rectangular wire geometry
- Die cast aluminum chassis
- Integrated double demodulation ring
- Weather protected cone

Applications

- 12" Ferrite ultra low distortion midrang driver for use in high power lineary and fixed installation professional loudspeaker enclosures

The P Audio 12FT-76MB is a high output wide bandwidth transducer. The 12FT-76MB is an upgraded design that features many of P Audios new technologies and performance upgrades. The 12 inch (305mm) diameter piston will produce extremely high sound pressure levels at both low and mid band frequencies and is ideal for high level response in both live sound and recorded music venues. The transducer has a rated bandwidth of 50Hz to 5000Hz. The transducer uses high energy ferrite magnetics to achieve a very high acoustic output to weight ratio. The 12FT-76MB has been optimized for use in two way or three way sound reinforcement systems. The 12FT-76MB employs a medium format 3 inch (76.2mm) diameter voice coil that provides an AES rated 1000 watts of continuous program power capacity and a full 2000 watts of peak rated power handling when sufficient amplifier headroom is available. The 12FT-76MB utilizes P Audio's Auto Balanced Cooling (ABC) technology to not only improve transducer power handling and reliability but to also increase power compression performance by carefully balancing and directing airflow to critical areas. The voice coil design is a bobbin wound geometry with P Audio's precision rectangle wire technology to insure high conversion efficiency. The system suspension has been designed specifically for high linear displacement and extended low frequency response. The 12FT-76MB also features a single spider configuration that provides system reliability and mechanical control. The transducer chassis is a die cast aluminum design that insures a very high degree of structural integrity



General Specifications

Nominal Diameter	305 mm (12 in)
Nominal Impedance	8 Ω
Nominal Power Handling	500 W(AES)
Continuous Program Power Capacity	1000 W
Sensitivity	97 dB
Frequency Range	50-5000 Hz
Voice Coil Diameter	76.2 mm (3 in)
Voice Coil Material	Flat aluminium wire
Former Material	Kapton
Effective Piston Diameter	264.0 mm (10.4 in)
Flux Density	1.3T

Physical Information

Magnet Material	Ferrite
Basket Material	Aluminium
Surround Material	Cloth
Cone Material	Paper
Dust Cap Material	Paper
Spider Material	Cotton
Gasket	EVA
Pole Design	T-Pole
Woofer Cone Treatment	No Treatment

Parameters

Fs	52 Hz	Vas	64.17 lt
Re	6.5 Ω	Sd	530.9 cm ²
Qms	6.60	Le	0.43 mH
Qes	0.36	Eff (η ₀)	2.48%
Qts	0.34	Cms	1.6 e-04 m/N
BL	18.25 Tm	Xmax	4.8 mm
Mms	57.24 g	Hag	9.5 mm
Mmd	50.21 g	Hvc	19 mm

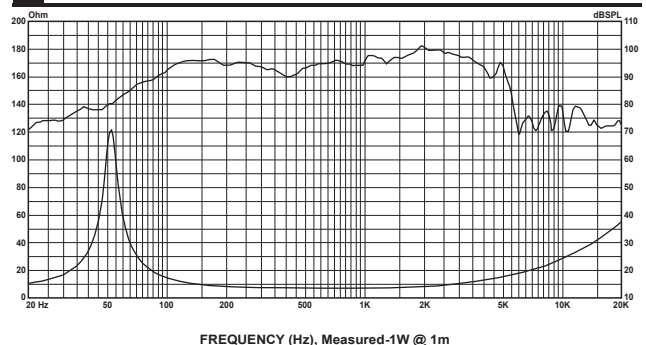
Mounting and Shipping Info

Diameter	313.5 mm (12.3in)
Baffle Cutout Diameter	283.0 mm (11.1 in)
Mounting Hole Diameter	296.0 mm (11.7 in)
Bolt Circle Diameter	8 x Ø (9.0x6.0 mm)
Depth	136.7 mm (5.4 in)
Flange and Gasket Thickness	14.5 mm (0.57 in)
Net Weight	8.4 kg / 18.48 lb
Shipping Units	1
Shipping Weight	9.2 kg / 20.24 lb
Shipping Box	335 x 335 x 205 mm

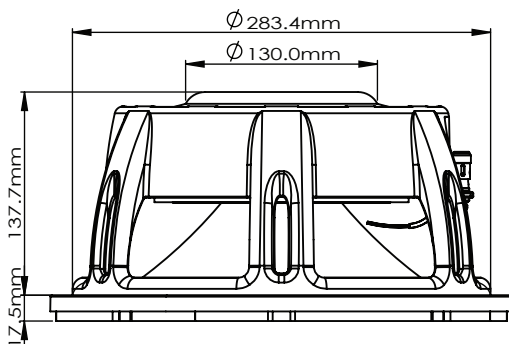
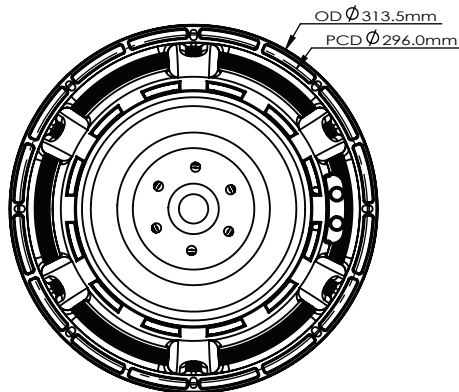
Recone Kit

Model Number

Frequency response and Impedance curve



FREQUENCY (Hz), Measured-1W @ 1m



STH PROFESSIONAL AUDIO CO.,LTD.

AIA Sathorn Tower, unit 1607-1608, 16th floor, No.11/1, South Sathorn Road, Yannawa, Sathorn, Bangkok 10120

REV 8