

**BM
SERIES**

12BM-300B V3

Ferrite Magnet Die-cast Chassis Driver

Features

- 3" Voice coil
- 600 Watts Continuous program power capacity
- Ferrite magnetics
- Precision circular wire geometry
- Die cast aluminum chassis



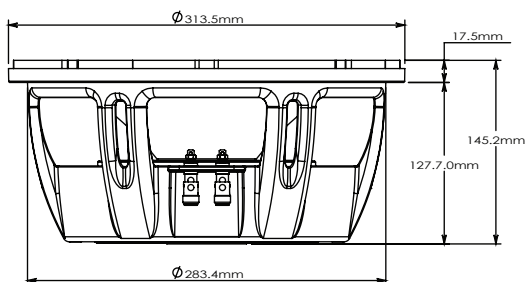
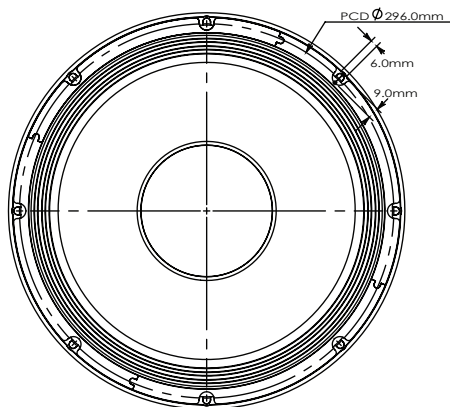
The P.Audio 12BM-300B V3 is a high output wide bandwidth transducer. The 12BM-300B V3 is an upgraded design that features many of P.Audio's new technologies and performance upgrades. The 12 inch (305mm) diameter piston will produce extremely high sound pressure levels at both low and mid band frequencies and is ideal for high level response in both live sound and recorded music venues. The Transducer has a rated bandwidth of 45Hz to 3000Hz. The transducer uses high energy ferrite magnetics to achieve a very high acoustic output to weight ratio. The 12BM-300B V3 has been optimized for use in two way or three way sound reinforcement systems.

The 12BM-300B V3 employs a medium format 3 inch (76.2mm) diameter voice coil that provides an AES rated 300 watts of continuous power handling and a full 1200 watt of peak rated power handling when sufficient amplifier headroom is available. The 12BM-300B V3 utilizes P.Audio's Auto Balanced Cooling (ABC) technology to not only improve transducer power handling and reliability but to also increase power compression performance by carefully balancing and directing airflow to critical areas.

The voice coil design is a bobbin would geometry with P.Audio's precision circular wire technology to insure high conversion efficiency.

The system suspension has been designed specifically for high linear displacement and extended low frequency response. The 12BM-300B V3 also features a single spider configuration that provides system reliability and mechanical control.

The transducer chassis is a die cast aluminum design that insures a very high degree of structural integrity.



General Specifications

Nominal Diameter	305 mm (12 in)
Nominal Impedance	8 Ω
Nominal Power Handling	300 W(AES)
Continuous Program Power Capacity	600 W
Sensitivity	96 dB
Frequency Range	45-3000 Hz
Voice Coil Diameter	76.2 mm (3.0 in)
Voice Coil Material	CCA-W
Former Material	Glass fiber
Effective Piston Diameter	264 mm (10.4 in)
Flux Density	1.2T

Physical Information

Magnet Material	Ferrite
Basket Material	Aluminium
Surround Material	Cloth
Cone Material	Paper
Dust Cap Material	Paper
Spider Material	Cotton (Single)
Gasket	EVA
Pole Design	T-Pole
Woofer Cone Treatment	No Treatment

Parameters

Fs	55 Hz	Vas	62.35 lt
Re	5.5 Ω	Sd	551.5 cm ²
Qms	5.95	Le	0.50 mH
Qes	0.36	Eff (η ₀)	2.86%
Qts	0.34	Cms	1.4 e-04 m/N
BL	17.06 Tm	Xmax	3.9 mm
Mms	56.70 g	Hag	9.0 mm
Mmd	49.25 g	Hvc	16.8 mm

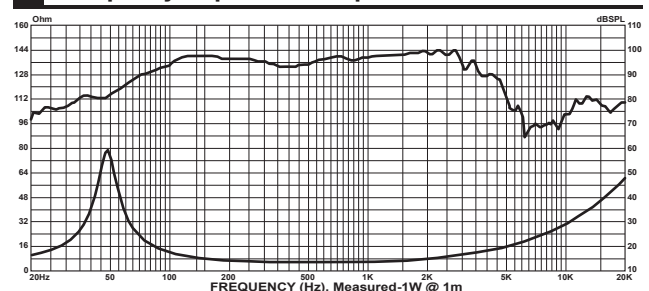
Mounting and Shipping Info

Diameter	313.5 mm (12.3 in)
Baffle Cutout Diameter	283.4 mm (11.1 in)
Mounting Hole Diameter	296 mm (11.6 in)
Bolt Circle Diameter	8 x Ø (6.5x10) mm
Depth	134.7 mm (5.3 in)
Flange and Gasket Thickness	15.5 mm (0.61 in)
Net Weight	7.4 kg
Shipping Units	1
Shipping Weight	8.2 kg
Shipping Box	355 x 355 x 195 mm

Recone Kit

F05031215201PAA

Frequency response and Impedance curve

**STH PROFESSIONAL AUDIO CO.,LTD.**

AIA Sathorn Tower, unit 1607-1608, 16th floor, No.11/1, South Sathorn Road, Yannawa, Sathorn, Bangkok 10120

REV 3